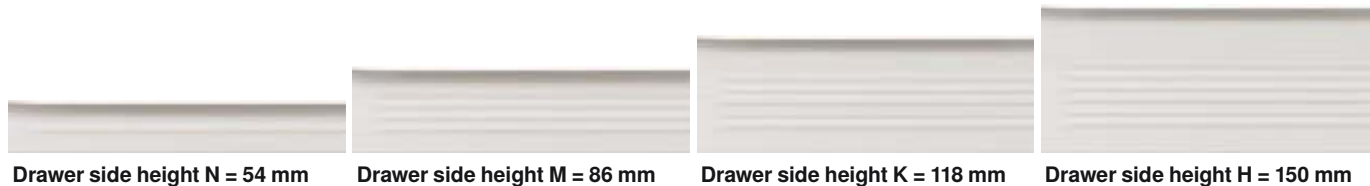


## METABOX – pull-out system



Blum's METABOX programme is a versatile steel drawer and pull-out system with many application options. The quick assembly version saves time and money when putting drawers together.

- Single drawer side system for economical solutions
- Equipped with the BLUMATIC self-closing feature
- Excellent runner action, high side stability, low sag values
- Good organisation options through a flexible gallery system
- 3-dimensional front adjustment
- Tool-free front assembly



Drawer side height N = 54 mm

Drawer side height M = 86 mm

Drawer side height K = 118 mm

Drawer side height H = 150 mm



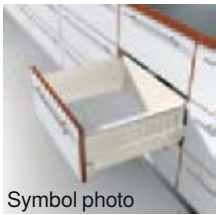
Screw-on version



Quick assembly version C15



## METABOX – basic element



Overview – applications

526

Symbol photo

### **a** Accessories



BLUMOTION for METABOX 320

559

Pull-out stop

559

Side stabilisation

556

POSISTOP

559

Child safety latch

556

Screws

560

Anti-tilt device

557

Screwdriver

561

Spacers

557

ORGA-LINE – gallery

562

METAFILE – file drawer

558

ORGA-LINE – BOXSIDE

563

Contoured profile

559

Symbol photo

### **⊕** Assembly, removal and adjustment



Cabinet profile fixing positions

564

Drawer/inner drawer

565

High fronted pull-out

565

BLUMOTION for METABOX 320

566

Adjustment

567

Symbol photo

### **i** Pictograph

Item Available Upon Request

Dynamic carrying capacity in kg

General Information

Planning

Accessories

Cutting

Drawer

Assembly

Inner drawer

Assembly, removal and adjustment

High fronted pull-out

Full extension

Single extension

Gallery

Double gallery

Single-wall BOXSIDE

Installation height and/or min. space requirement in cabinet

Height of Drawer Side

# METABOX – pull-out system



- ▶ METABOX – basic element
- ▶▶ Overview – applications

## Single extension

Basic element	Drawer	Inner drawer
 N	 320N 528	 320N 528
 M	 320M 530	 320M 530
 K	 320K 532	 320K 532
 H	 320H 534	 320H 534

Basic element	High fronted pull-out
 B Gallery	 320M 536
 D Double gallery	 320M 538
 D Gallery and single-wall BOXSIDE	 320M 540

METABOX


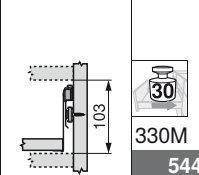

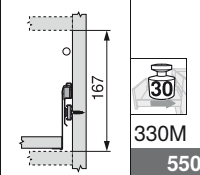



# METABOX – pull-out system

METABOX – basic element ◀

Overview – applications ◀◀

## Full extension

Basic element	Drawer	Inner drawer
 N	 330N 542	 330N 542
 M	 330M 544	 330M 544
 K	 330K 546	 330K 546
 H	 330H 548	 330H 548
Basic element	High fronted pull-out	
 B Gallery	 330M 550	
 D Double gallery	 330M 552	
 D Gallery and single-wall BOXSIDE	 330M 554	

METABOX

### Info box

Take advantage of **DYNALOG limited** included free on the DVD.

- DYNAPLAN – cabinet planning incl. a collision check and fittings selection
- DYNACAT – electronic product catalogue and CAD data export (dxf, dwg, igs, sat, x\_t, jpg)
- DYNASHOP – shopping basket and ordering function



# METABOX – pull-out system

- ▶ METABOX – basic element
- ▶▶ Single extension

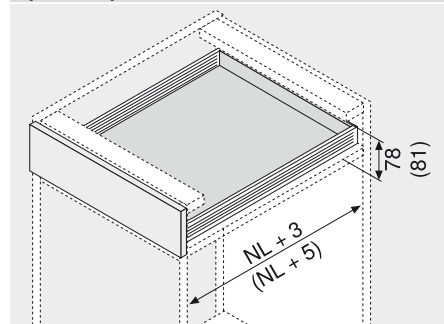


## Drawer/inner drawer – N




- Single extension with 54 mm high
- Epoxy coated steel drawer sides
- Drawer sides in cream (RAL 9001) as standard and in grey (RAL 9006) and white upon request
- High impact nylon rollers
- Dyn. load bearing 25 kg
- BLUMATIC self closing feature
- 2-dimensional front adjustment

### Space requirement





NL Nominal length  
( ) Inner drawer


### Order information

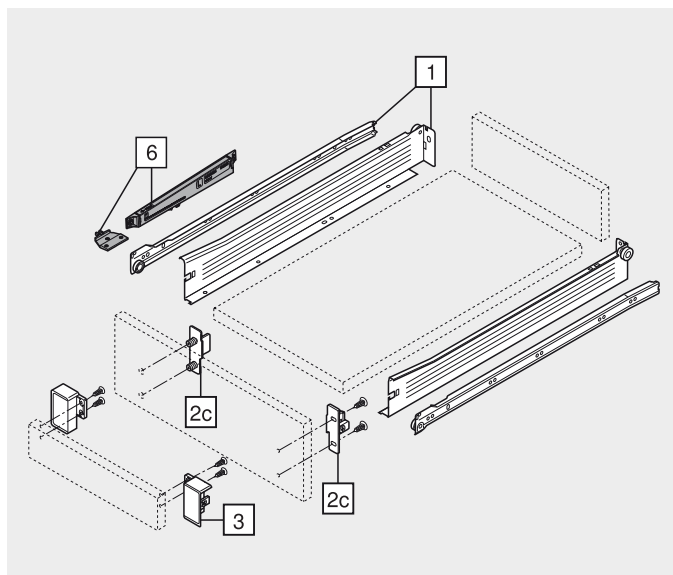
1  Cabinet profile drawer side left/right, RAL 9001 cream		
Nominal length NL	Screw-on version	Quick assembly version
270 mm	320N2700C	320N2700C15
350 mm	320N3500C	320N3500C15
400 mm	320N4000C	320N4000C15
450 mm	320N4500C	320N4500C15
500 mm	320N5000C	320N5000C15
550 mm	320N5500C	320N5500C15

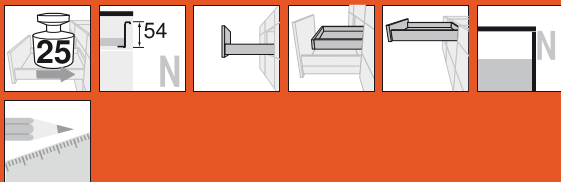
Other colours available upon request (white or grey)

2c  Standard front fixing brackets left		
Screw-on version		ZSF.1510
Knock-in version		ZSF.1610
Order left/right		

3  Front fixing for inner drawers		
RAL 9001 cream		ZIF.3010
Nylon		
Order left/right		

6  BLUMOTION and trigger (optional)		
RAL 7046 white grey/RAL 9001 cream		Z70.0320
Nylon		
Other colours available for latch upon request (white or grey)		





# METABOX – pull-out system

METABOX – basic element ◀  
Single extension ◀◀

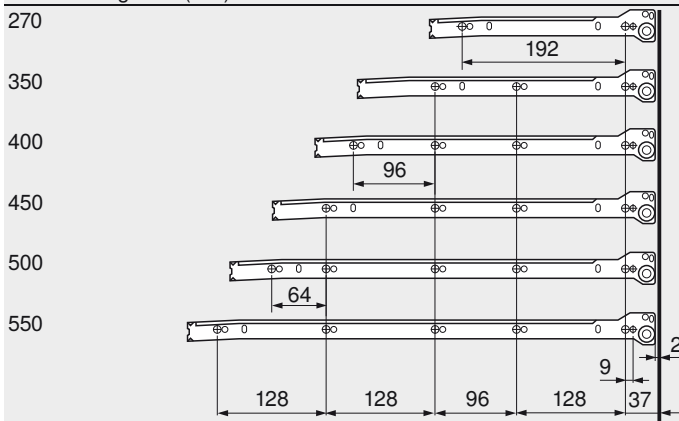
## Drawer/inner drawer – N

### Planning

Space requirement in cabinet	Installation dimensions for screw-on front	Front drilling dimensions for EXPANDO/knock-in	Back installation dimensions
* + 2 mm with BLUMOTION * + 3 mm for inner drawer with BLUMOTION	FA Front overlay Drawer Inner drawer	Drawer	

### Cabinet profile screw positions

Nominal length NL (mm)



Drawer

Min. internal cabinet depth = nominal length NL + 3 mm

Inner drawer

Min. internal cabinet depth = nominal length NL + 5 mm

### Cutting dimensions for 16 mm chipboard

	<b>Back</b> 39 mm	
	<b>Base</b> Drawer NL - 2 mm Inner drawer NL - 18 mm	
	<b>Front</b> Inner drawer 61 mm	

KB Cabinet width  
 LW Internal cabinet width  
 NL Nominal length

### Base assembly for quick assembly version

	<b>X (mm)</b>
Drawer	69
Inner drawer	53

### Page instructions

Overview – METABOX – basic elements

	525
Accessories	556
BLUMOTION for METABOX 320	559
Cabinet profile fixing positions	564
Assembly, removal and adjustment	565
Overview – assembly devices	705
More technical details	804

### Info box

We recommend cabinet planning with the collision check feature using DYNAPLAN included free on the enclosed DYNALOG limited DVD.

# METABOX – pull-out system

- ▶ METABOX – basic element
- ▶▶ Single extension

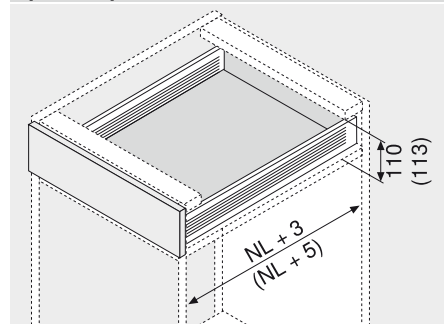


## Drawer/inner drawer – M



- Single extension with 86 mm high
- Epoxy coated steel drawer sides
- Drawer sides in cream (RAL 9001) as standard and in grey (RAL 9006) and white upon request
- High impact nylon rollers
- Dyn. load bearing 25 kg
- BLUMATIC self closing feature
- 2-dimensional front adjustment

### Space requirement



NL Nominal length  
( ) Inner drawer

### Order information

1 Cabinet profile drawer side left/right, RAL 9001 cream		
Nominal length NL	Screw-on version	Quick assembly version
270 mm	320M2700C	320M2700C15
350 mm	320M3500C	320M3500C15
400 mm	320M4000C	320M4000C15
450 mm	320M4500C	320M4500C15
500 mm	320M5000C	320M5000C15
550 mm	320M5500C	320M5500C15

Other colours available upon request (white or grey)

2a CLIP-front fixing brackets		
Screw-on version		ZSF.1200
Knock-in version		ZSF.1300
EXPANDO		ZSF.130E
Order left/right		

2b Cover caps for 2a		
RAL 9001 cream		ZAA.3700
Nylon		
Order left/right		

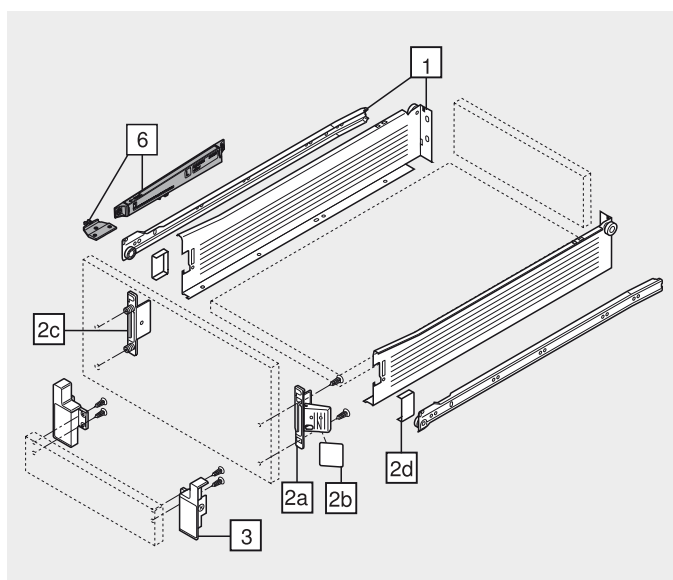
Alternative to 2a

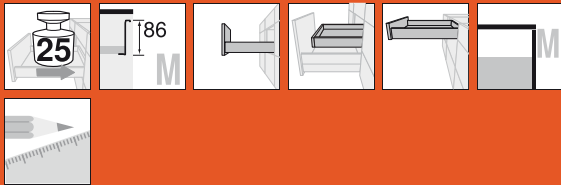
2c Standard front fixing brackets left		
Screw-on version		ZSF.1700
Knock-in version		ZSF.1800
Order left/right		

2d Cover caps for 2c		
RAL 9001 cream	2 x	ZAA.3500
Nylon		

3 Front fixing for inner drawers		
RAL 9001 cream		ZIF.3000
Nylon		
Order left/right		

6 BLUMOTION and trigger (optional)		
RAL 7046 white grey/RAL 9001 cream		Z70.0320
Nylon		
Other colours available for latch upon request (white or grey)		





# METABOX – pull-out system

METABOX – basic element ◀  
Single extension ◀◀

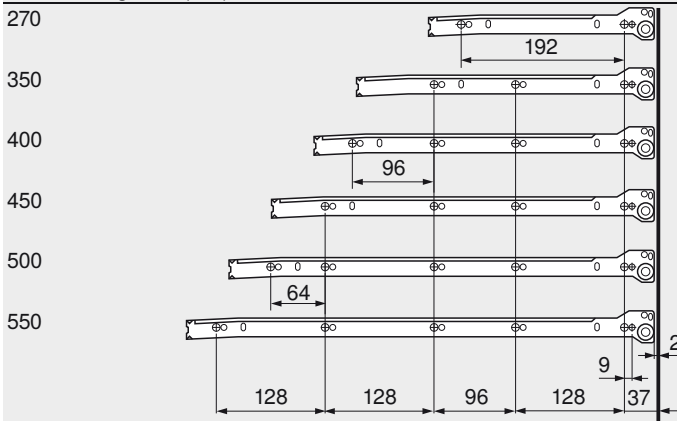
## Drawer/inner drawer – M

### Planning

Space requirement in cabinet	Installation dimensions for screw-on front	Front drilling dimensions for EXPANDO/knock-in	Back installation dimensions
* + 2 mm with BLUMOTION * + 3 mm for inner drawer with BLUMOTION	FA Front overlay Drawer Inner drawer	Drawer	

### Cabinet profile screw positions

Nominal length NL (mm)



Drawer

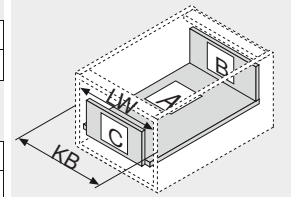
Min. internal cabinet depth = nominal length NL + 3 mm

Inner drawer

Min. internal cabinet depth = nominal length NL + 5 mm

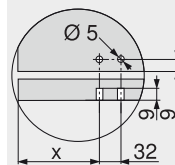
### Cutting dimensions for 16 mm chipboard

<b>B</b>	<b>Back</b> 71 mm
LW - 31 mm	
<b>A</b>	<b>Base</b> Drawer NL - 2 mm Inner drawer NL - 18 mm
LW - 31 mm	
<b>C</b>	<b>Front</b> Inner drawer 61 mm
LW - 64 mm	



KB Cabinet width  
LW Internal cabinet width  
NL Nominal length

### Base assembly for quick assembly version



	X (mm)
Drawer	69
Inner drawer	53

### Page instructions

Overview – METABOX – basic elements

	525
Accessories	556
BLUMOTION for METABOX 320	559
Cabinet profile fixing positions	564
Assembly, removal and adjustment	565
Overview – assembly devices	705
More technical details	804

### Info box

We recommend cabinet planning with the collision check feature using DYNAPLAN included free on the enclosed DYNALOG limited DVD.



# METABOX – pull-out system

- ▶ METABOX – basic element
- ▶▶ Single extension

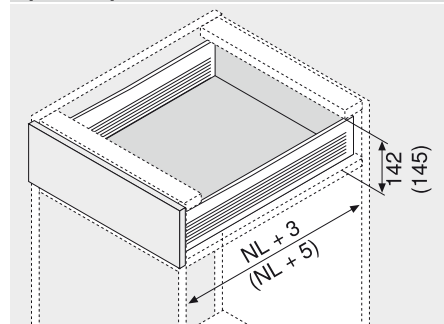


## Drawer/inner drawer – K



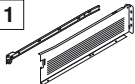
- Single extension with 118 mm high
- Epoxy coated steel drawer sides
- Drawer sides in cream (RAL 9001) as standard and in grey (RAL 9006) and white upon request
- High impact nylon rollers
- Dyn. load bearing 25 kg
- BLUMATIC self closing feature
- 2-dimensional front adjustment

### Space requirement

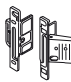



NL Nominal length  
( ) Inner drawer

### Order information


1 		
Nominal length NL	Screw-on version	Quick assembly version
350 mm	320K3500C	320K3500C15
400 mm	320K4000C	320K4000C15
450 mm	320K4500C	320K4500C15
500 mm	320K5000C	320K5000C15
550 mm	320K5500C	320K5500C15


Other colours available upon request (white or grey)


2a 		
Screw-on version		ZSF.1200
Knock-in version		ZSF.1300
EXPANDO		ZSF.130E
Order left/right		


2b 		
RAL 9001 cream		ZAA.3700
Nylon		
Order left/right		

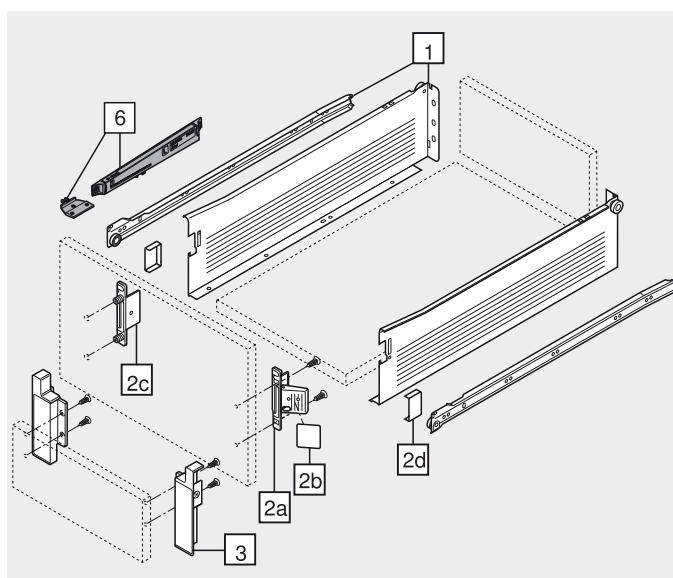
Alternative to 2a

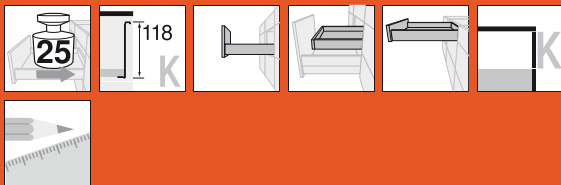
2c 		
Screw-on version		ZSF.1700
Knock-in version		ZSF.1800
Order left/right		

2d 		
RAL 9001 cream	2 x	ZAA.3500
Nylon		

3 		
RAL 9001 cream		ZIF.3030
Nylon		
Order left/right		

6 		
BLUMOTION and trigger (optional)		
RAL 7046 white grey/RAL 9001 cream		Z70.0320
Nylon		
Other colours available for latch upon request (white or grey)		





# METABOX – pull-out system

METABOX – basic element ◀  
Single extension ◀◀

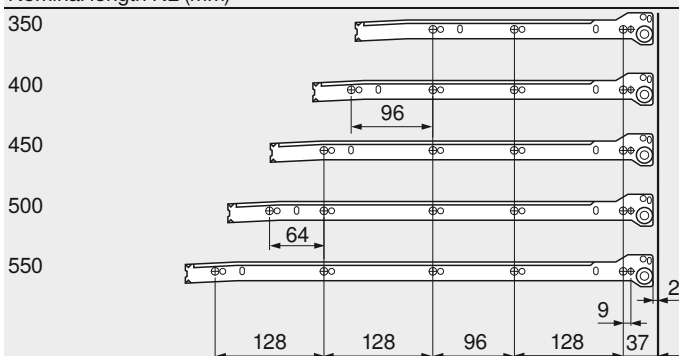
## Drawer/inner drawer – K

### Planning

Space requirement in cabinet	Installation dimensions for screw-on front	Front drilling dimensions for EXPANDO/knock-in	Back installation dimensions
* + 2 mm with BLUMOTION * + 3 mm for inner drawer with BLUMOTION	FA Front overlay Drawer Inner drawer	Drawer	

### Cabinet profile screw positions

Nominal length NL (mm)



Drawer

Min. internal cabinet depth = nominal length NL + 3 mm

Inner drawer

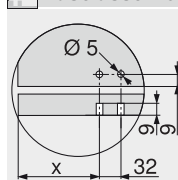
Min. internal cabinet depth = nominal length NL + 5 mm

### Cutting dimensions for 16 mm chipboard

	<b>Back</b> 103 mm	
	<b>Base</b> Drawer NL - 2 mm Inner drawer NL - 18 mm	
	<b>Front</b> Inner drawer 93 mm	

KB Cabinet width  
 LW Internal cabinet width  
 NL Nominal length

### Base assembly for quick assembly version



	X (mm)
Drawer	69
Inner drawer	53

### Page instructions

Overview – METABOX – basic elements

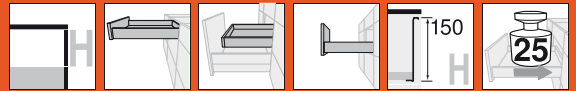
	525
Accessories	556
BLUMOTION for METABOX 320	559
Cabinet profile fixing positions	564
Assembly, removal and adjustment	565
Overview – assembly devices	705
More technical details	804

### Info box

We recommend cabinet planning with the collision check feature using DYNAPLAN included free on the enclosed DYNALOG limited DVD.

# METABOX – pull-out system

- ▶ METABOX – basic element
- ▶▶ Single extension

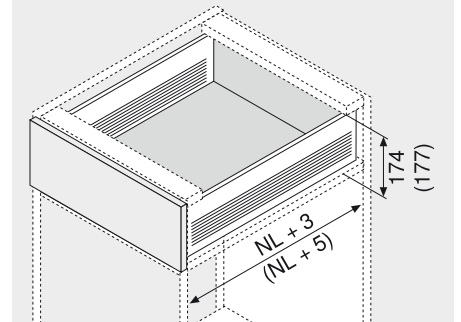


## Drawer/inner drawer – H



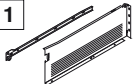
- Single extension with 150 mm high
- Epoxy coated steel drawer sides
- Drawer sides in cream (RAL 9001) as standard and in grey (RAL 9006) and white upon request
- High impact nylon rollers
- Dyn. load bearing 25 kg
- BLUMATIC self closing feature
- 2-dimensional front adjustment

### Space requirement





NL Nominal length  
( ) Inner drawer

### Order information


1 		
Nominal length NL	Screw-on version	Quick assembly version
350 mm	320H3500C	320H3500C15
400 mm	320H4000C	320H4000C15
450 mm	320H4500C	320H4500C15
500 mm	320H5000C	320H5000C15
550 mm	320H5500C	320H5500C15

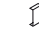
Other colours available upon request (white or grey)

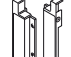
2a 		
Screw-on version		ZSF.1200
Knock-in version		ZSF.1300
EXPANDO		ZSF.130E
Order left/right		


2b 		
RAL 9001 cream		ZAA.3700
Nylon		
Order left/right		

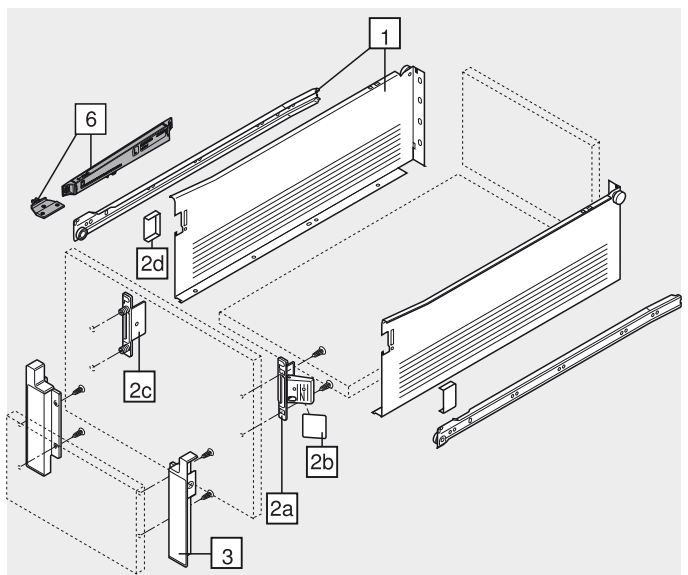
Alternative to 2a

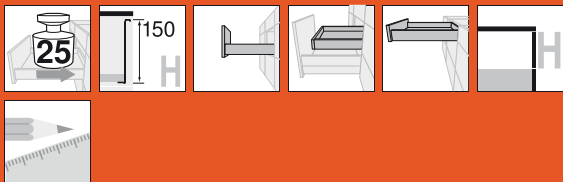
2c 		
Screw-on version		ZSF.1700
Knock-in version		ZSF.1800
Order left/right		

2d 		
RAL 9001 cream	2 x	ZAA.3500
Nylon		

3 		
RAL 9001 cream		ZIF.3050
Nylon		
Order left/right		

6 		
BLUMOTION and trigger (optional)		
RAL 7046 white grey/RAL 9001 cream		Z70.0320
Nylon		
Other colours available for latch upon request (white or grey)		





# METABOX – pull-out system

METABOX – basic element ◀  
Single extension ◀◀

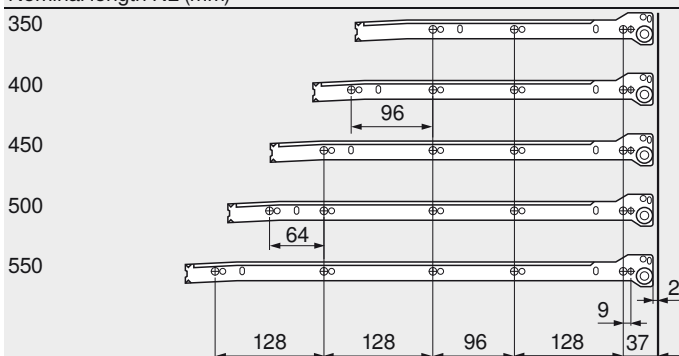
## Drawer/inner drawer – H

### Planning

Space requirement in cabinet	Installation dimensions for screw-on front	Front drilling dimensions for EXPANDO/knock-in	Back installation dimensions
* + 2 mm with BLUMOTION * + 3 mm for inner drawer with BLUMOTION	FA Front overlay Drawer Inner drawer	Drawer	

### Cabinet profile screw positions

Nominal length NL (mm)



Drawer

Min. internal cabinet depth = nominal length NL + 3 mm

Inner drawer

Min. internal cabinet depth = nominal length NL + 5 mm

### Cutting dimensions for 16 mm chipboard

	<b>Back</b> 135 mm	
	<b>Base</b> Drawer NL - 2 mm Inner drawer NL - 18 mm	
	<b>Front</b> Inner drawer 125 mm	

KB Cabinet width  
 LW Internal cabinet width  
 NL Nominal length

### Base assembly for quick assembly version

	<b>X (mm)</b>
Drawer	69
Inner drawer	53

### Page instructions

Overview – METABOX – basic elements

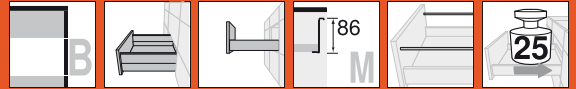
	525
Accessories	556
BLUMOTION for METABOX 320	559
Cabinet profile fixing positions	564
Assembly, removal and adjustment	565
Overview – assembly devices	705
More technical details	804

### Info box

We recommend cabinet planning with the collision check feature using DYNAPLAN included free on the enclosed DYNALOG limited DVD.

# METABOX – pull-out system

- ▶ METABOX – basic element
- ▶▶ Single extension

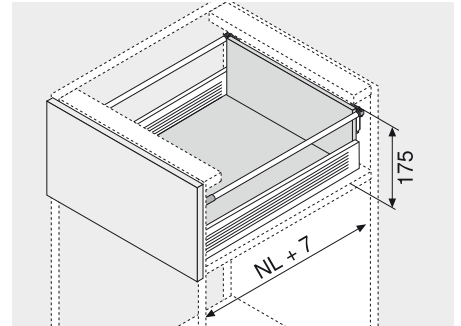


## High fronted pull-out – gallery – B



- Single extension with 86 mm high
- Epoxy coated steel drawer sides
- Drawer sides in cream (RAL 9001) as standard and in grey (RAL 9006) and white upon request
- High impact nylon rollers
- Dyn. load bearing 25 kg
- BLUMATIC self closing feature
- 3-dimensional front adjustment
- Tool free assembly of gallery system (INSERTA/CLIP)

### Space requirement



NL Nominal length

### Order information

1 Cabinet profile drawer side left/right, RAL 9001 cream			4 Longside gallery rails with back fixing left/right	
Nominal length NL	Screw-on version	Quick assembly version	Nominal length NL	RAL 9001 cream
350 mm	320M3500C	320M3500C15	350 mm	ZRE.321S.ID
400 mm	320M4000C	320M4000C15	400 mm	ZRE.371S.ID
450 mm	320M4500C	320M4500C15	450 mm	ZRE.421S.ID
500 mm	320M5000C	320M5000C15	500 mm	ZRE.471S.ID
550 mm	320M5500C	320M5500C15	550 mm	ZRE.521S.ID

Other colours available upon request (white or grey)

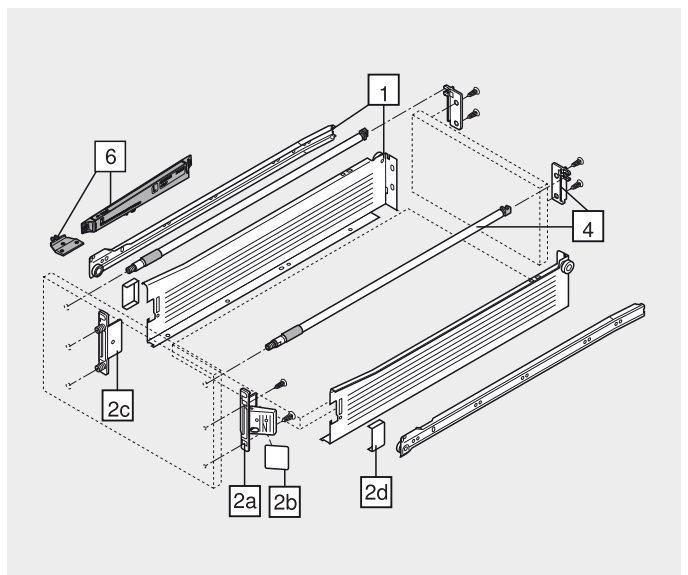
2a	CLIP-front fixing brackets	
	Screw-on version	ZSF.1200
	Knock-in version	ZSF.1300
	EXPANDO	ZSF.130E
	Order left/right	

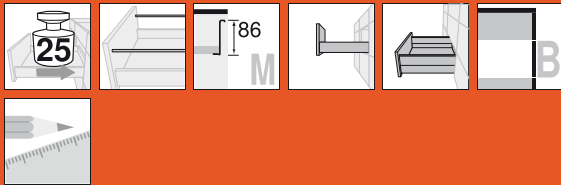
2b	Cover caps for 2a	
	RAL 9001 cream	ZAA.3700
	Nylon	
	Order left/right	

Alternative to 2a		
2c	Standard front fixing brackets left	
	Screw-on version	ZSF.1700
	Knock-in version	ZSF.1800
	Order left/right	

2d	Cover caps for 2c	
	RAL 9001 cream	2 x ZAA.3500
	Nylon	

6	BLUMOTION and trigger (optional)	
	RAL 7046 white grey/RAL 9001 cream	Z70.0320
	Nylon	
	Other colours available for latch upon request (white or grey)	





# METABOX – pull-out system

METABOX – basic element ◀  
Single extension ◀◀

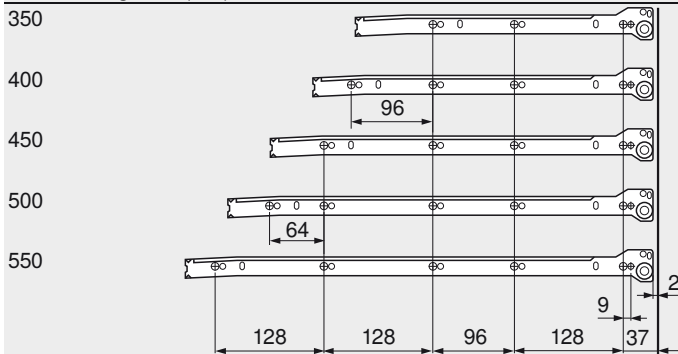
## High fronted pull-out – gallery – B

**Planning**

Space requirement in cabinet	Installation dimensions for screw-on front	Front drilling dimensions for EXPANDO/knock-in	Back installation dimensions
* + 2 mm with BLUMOTION	FA Front overlay		

### Cabinet profile screw positions

Nominal length NL (mm)

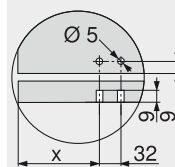


High fronted pull-out  
Min. internal cabinet depth = nominal length NL + 7 mm

### Cutting dimensions for 16 mm chipboard

KB Cabinet width  
LW Internal cabinet width  
NL Nominal length

### Base assembly for quick assembly version



	X (mm)
High fronted pull-out	69

### Page instructions

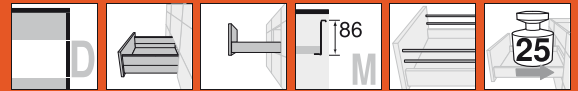
Overview – METABOX – basic elements	525
Accessories	556
BLUMOTION for METABOX 320	559
Accessories – ORGA-LINE – gallery	562
Cabinet profile fixing positions	564
Assembly, removal and adjustment	565
Overview – assembly devices	705
More technical details	804

### Info box

We recommend cabinet planning with the collision check feature using DYNAPLAN included free on the enclosed DYNALOG limited DVD.

# METABOX – pull-out system

- ▶ METABOX – basic element
- ▶▶ Single extension

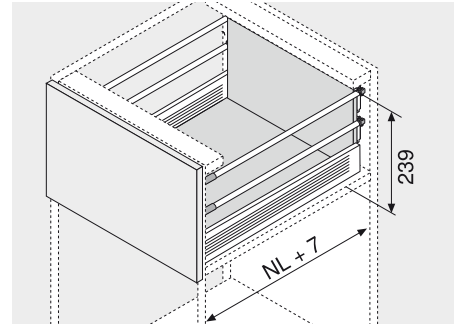


## High fronted pull-out – double gallery – D





- Single extension with 86 mm high
- Epoxy coated steel drawer sides
- Drawer sides in cream (RAL 9001) as standard and in grey (RAL 9006) and white upon request
- High impact nylon rollers
- Dyn. load bearing 25 kg
- BLUMATIC self closing feature
- 3-dimensional front adjustment
- Tool free assembly of gallery system (INSERTA/CLIP)

### Space requirement

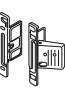



NL Nominal length


### Order information


1  Cabinet profile drawer side left/right, RAL 9001 cream			4  Longside gallery rails with back fixing left/right		
Nominal length NL	Screw-on version	Quick assembly version	Nominal length NL		RAL 9001 cream
350 mm	320M3500C	320M3500C15	350 mm	2 x	ZRE.321S.ID
400 mm	320M4000C	320M4000C15	400 mm	2 x	ZRE.371S.ID
450 mm	320M4500C	320M4500C15	450 mm	2 x	ZRE.421S.ID
500 mm	320M5000C	320M5000C15	500 mm	2 x	ZRE.471S.ID
550 mm	320M5500C	320M5500C15	550 mm	2 x	ZRE.521S.ID


Other colours available upon request (white or grey)

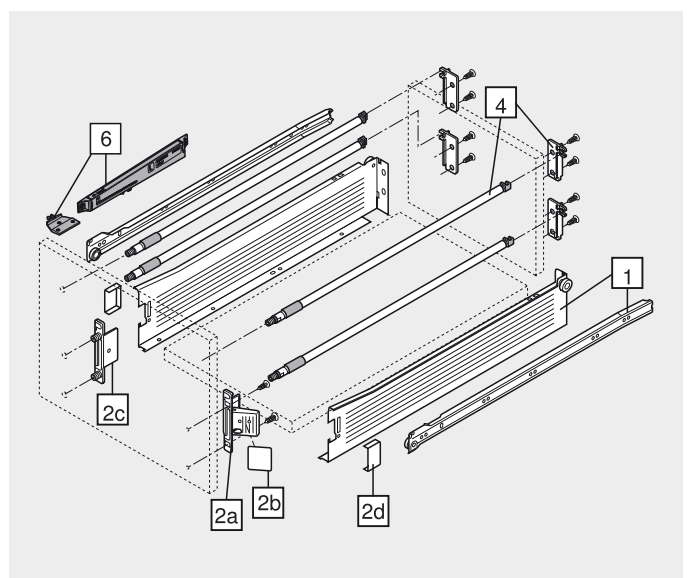
2a 	CLIP-front fixing brackets	
	Screw-on version	ZSF.1200
	Knock-in version	ZSF.1300
	EXPANDO	ZSF.130E
	Order left/right	

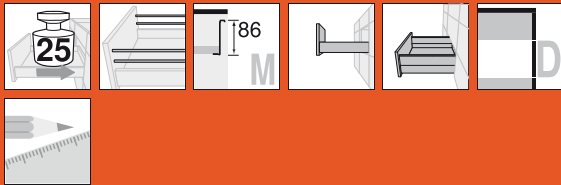
2b 	Cover caps for 2a	
	RAL 9001 cream	ZAA.3700
	Nylon	
	Order left/right	

Alternative to 2a		
2c 	Standard front fixing brackets left	
	Screw-on version	ZSF.1700
	Knock-in version	ZSF.1800
	Order left/right	

2d 	Cover caps for 2c	
	RAL 9001 cream	2 x ZAA.3500
	Nylon	

6 	BLUMOTION and trigger (optional)	
	RAL 7046 white grey/RAL 9001 cream	Z70.0320
	Nylon	
	Other colours available for latch upon request (white or grey)	



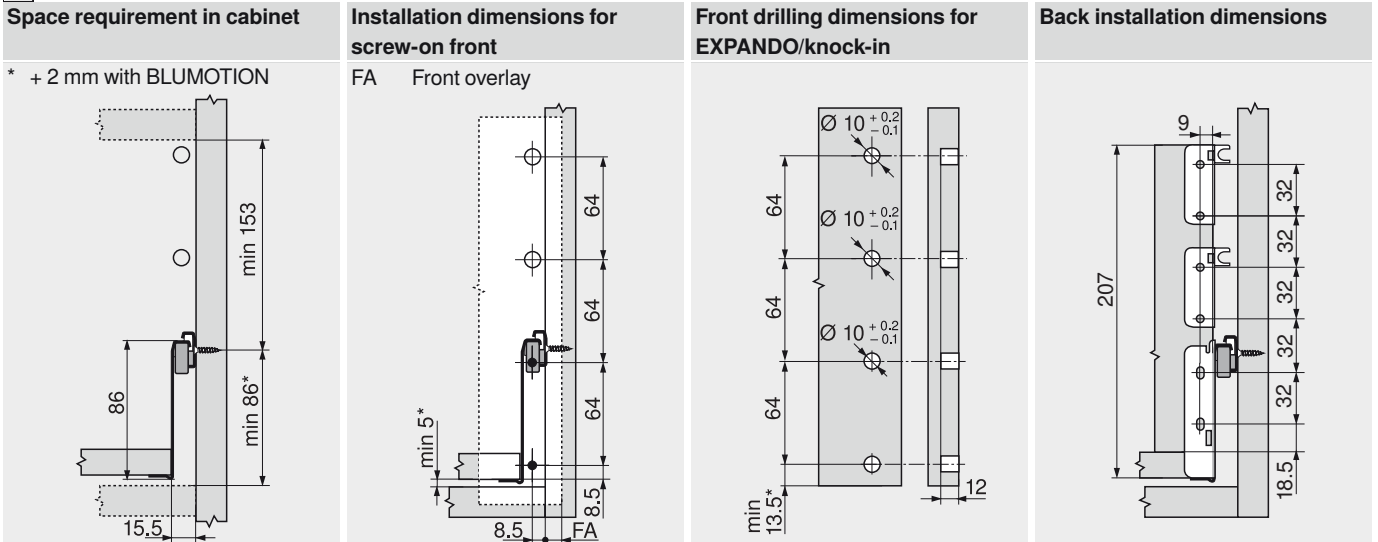


# METABOX – pull-out system

METABOX – basic element ◀  
Single extension ◀◀

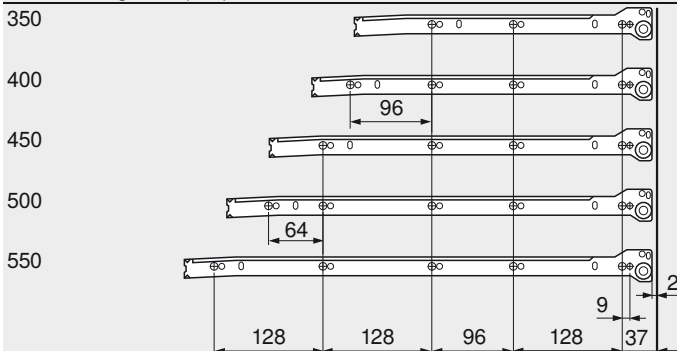
## High fronted pull-out – double gallery – D

### Planning

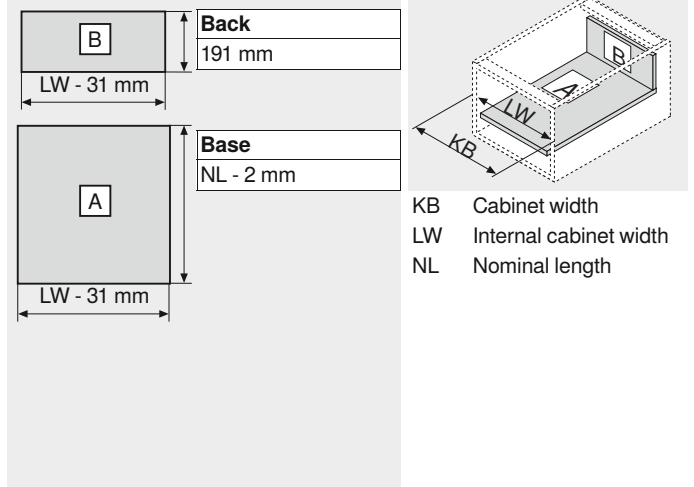


### Cabinet profile screw positions

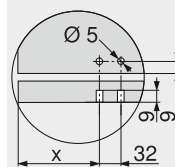
Nominal length NL (mm)



### Cutting dimensions for 16 mm chipboard



### Base assembly for quick assembly version



	X (mm)
High fronted pull-out	69

High fronted pull-out

Min. internal cabinet depth = nominal length NL + 7 mm

### Page instructions

Overview – METABOX – basic elements

	525
Accessories	556
BLUMOTION for METABOX 320	559
Accessories – ORGA-LINE – gallery	562
Cabinet profile fixing positions	564
Assembly, removal and adjustment	565
Overview – assembly devices	705
More technical details	804

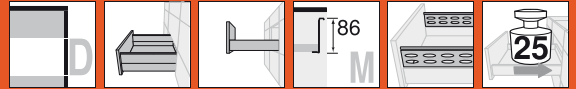
### Info box

We recommend cabinet planning with the collision check feature using DYNAPLAN included free on the enclosed DYNALOG limited DVD.



# METABOX – pull-out system

- ▶ METABOX – basic element
- ▶▶ Single extension

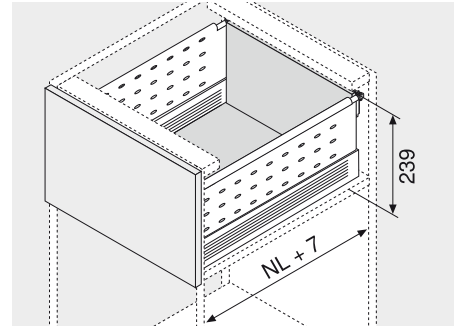


## High fronted pull-out – BOXSIDE – D



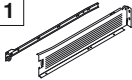

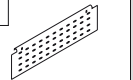
- Single extension with 86 mm high
- Epoxy coated steel drawer sides
- Drawer sides in cream (RAL 9001) as standard and in grey (RAL 9006) and white upon request
- High impact nylon rollers
- Dyn. load bearing 25 kg
- BLUMATIC self closing feature
- 3-dimensional front adjustment
- Tool free assembly of gallery system (INSERTA/CLIP)

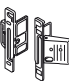
### Space requirement




NL Nominal length


### Order information

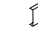
1  Cabinet profile drawer side left/right, RAL 9001 cream			4  Longside gallery rails with back fixing left/right		5  Single-wall BOXSIDE	
Nominal length NL	Screw-on version	Quick assembly version	Nominal length NL	RAL 9001 cream	Nominal length NL	RAL 9001 cream
400 mm	320M4000C	320M4000C15	400 mm	ZRE.371S.ID	400 mm	2 x Z36H367SE01
450 mm	320M4500C	320M4500C15	450 mm	ZRE.421S.ID	450 mm	2 x Z36H417SE01
500 mm	320M5000C	320M5000C15	500 mm	ZRE.471S.ID	500 mm	2 x Z36H467SE01
550 mm	320M5500C	320M5500C15	550 mm	ZRE.521S.ID	550 mm	2 x Z36H517SE01


2a  CLIP-front fixing brackets	
Screw-on version	ZSF.1200
Knock-in version	ZSF.1300
EXPANDO	ZSF.130E
Order left/right	

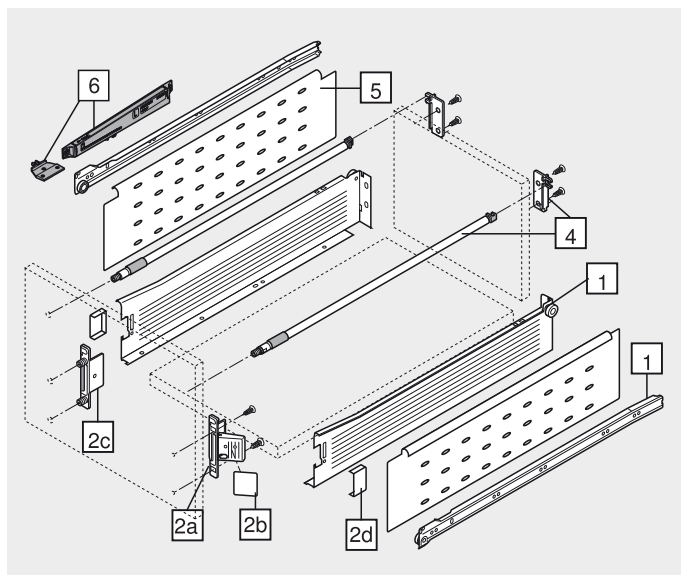
2b  Cover caps for 2a	
RAL 9001 cream	ZAA.3700
Nylon	
Order left/right	

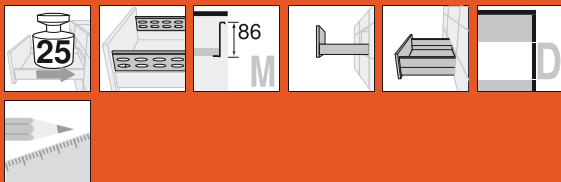
Alternative to 2a

2c  Standard front fixing brackets left	
Screw-on version	ZSF.1700
Knock-in version	ZSF.1800
Order left/right	

2d  Cover caps for 2c	
RAL 9001 cream	2 x ZAA.3500
Nylon	

6  BLUMOTION and trigger (optional)	
RAL 7046 white grey/RAL 9001 cream	Z70.0320
Nylon	
Other colours available for latch upon request (white or grey)	





# METABOX – pull-out system

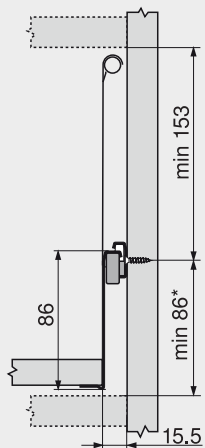
METABOX – basic element ◀  
Single extension ◀◀

## High fronted pull-out – BOXSIDE – D

### Planning

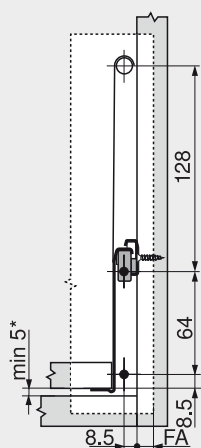
#### Space requirement in cabinet

\* + 2 mm with BLUMOTION

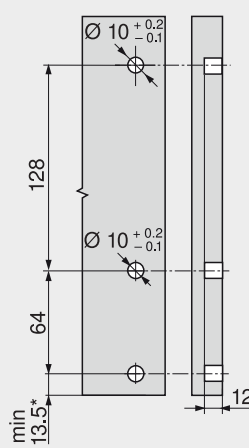


#### Installation dimensions for screw-on front

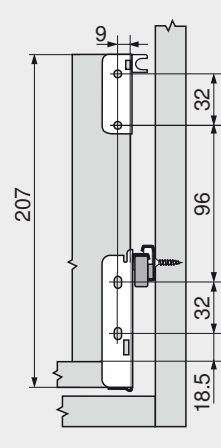
FA Front overlay



#### Front drilling dimensions for EXPANDO/knock-in

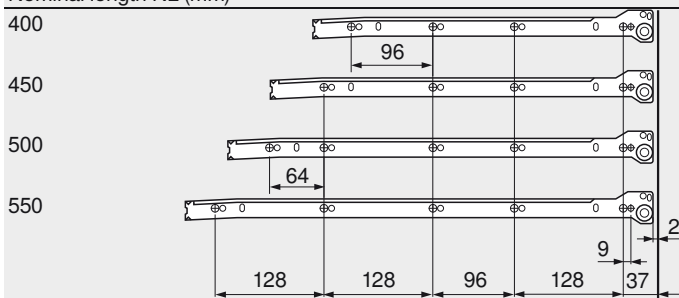


#### Back installation dimensions

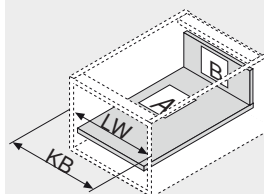
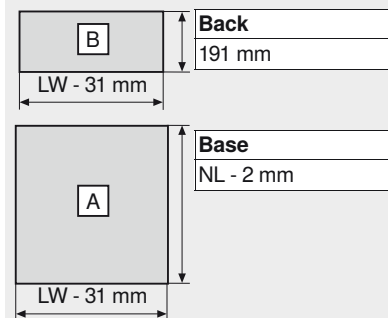


### Cabinet profile screw positions

Nominal length NL (mm)

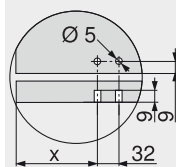


### Cutting dimensions for 16 mm chipboard



KB Cabinet width  
LW Internal cabinet width  
NL Nominal length

### Base assembly for quick assembly version



	X (mm)
High fronted pull-out	69

High fronted pull-out

Min. internal cabinet depth = nominal length NL + 7 mm

### Page instructions

Overview – METABOX – basic elements

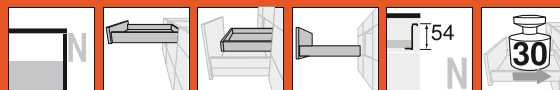
	525
Accessories	556
BLUMOTION for METABOX 320	559
Accessories – ORGA-LINE – BOXSIDE	563
Cabinet profile fixing positions	564
Assembly, removal and adjustment	565
Overview – assembly devices	705
More technical details	804

### Info box

We recommend cabinet planning with the collision check feature using DYNAPLAN included free on the enclosed DYNALOG limited DVD.

# METABOX – pull-out system

- ▶ METABOX – basic element
- ▶▶ Full extension

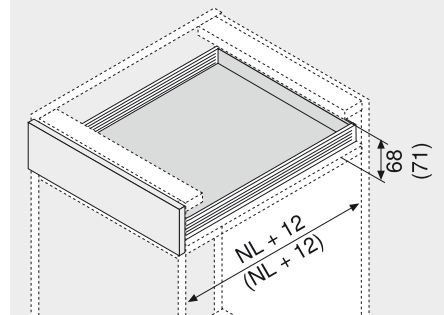


## Drawer/inner drawer – N




- Full extension with 54 mm high drawer sides
- Epoxy coated steel drawer sides
- Drawer sides in cream (RAL 9001) as standard and in grey (RAL 9006) and white upon request
- High impact nylon rollers
- Dyn. load bearing 30 kg
- BLUMATIC self closing feature
- 2-dimensional front adjustment

### Space requirement





NL Nominal length  
( ) Inner drawer

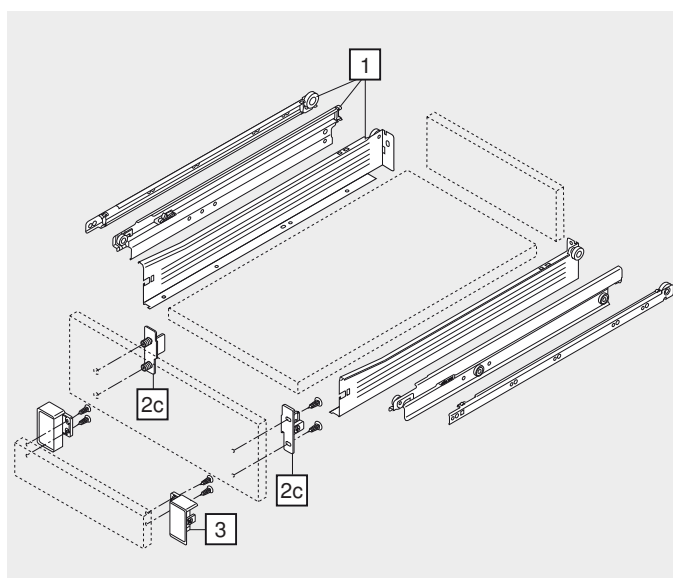
### Order information

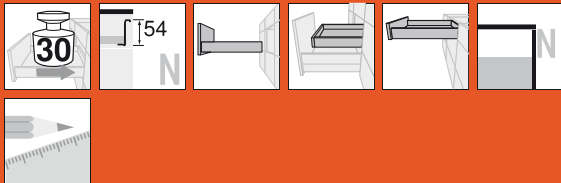
1 		
Cabinet profile, centre profile and drawer side left/right, RAL 9001 cream		
Nominal length NL	Screw-on version	Quick assembly version
270 mm	330N270PC	330N270PC15
350 mm	330N350PC	330N350PC15
400 mm	330N400PC	330N400PC15
450 mm	330N450PC	330N450PC15
500 mm	330N500PC	330N500PC15
550 mm	330N550PC	330N550PC15

Other colours available upon request (white or grey)

2c 	
Standard front fixing brackets left	
Screw-on version	ZSF.1510
Knock-in version	ZSF.1610
Order left/right	

3 	
Front fixing for inner drawers	
RAL 9001 cream	ZIF.3010
Nylon	
Order left/right	





# METABOX – pull-out system

METABOX – basic element ◀  
Full extension ◀◀

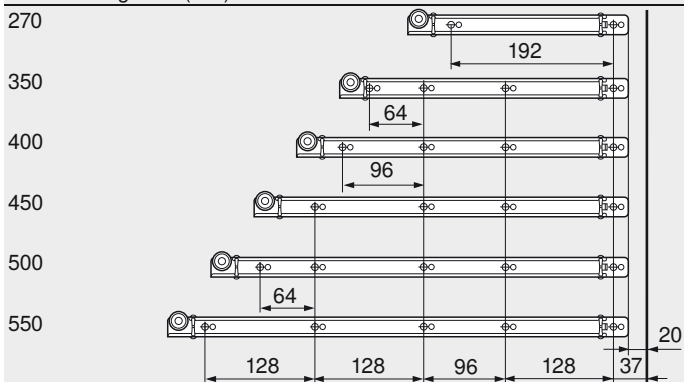
## Drawer/inner drawer – N

### Planning

Space requirement in cabinet	Installation dimensions for screw-on front	Front drilling dimensions for EXPANDO/knock-in	Back installation dimensions
* + 3 mm for inner drawer	FA Front overlay Drawer Inner drawer	Drawer	

### Cabinet profile screw positions

Nominal length NL (mm)



Drawer

Min. internal cabinet depth = nominal length NL + 12 mm

Inner drawer

Min. internal cabinet depth = nominal length NL + 12 mm

Over extension = 8 mm

### Cutting dimensions for 16 mm chipboard

	<b>Back</b> 39 mm	
	<b>Base</b> Drawer NL - 2 mm Inner drawer NL - 18 mm	
	<b>Front</b> Inner drawer 61 mm	

KB Cabinet width  
LW Internal cabinet width  
NL Nominal length

### Base assembly for quick assembly version

	<b>X (mm)</b>
Drawer	69
Inner drawer	53

### Page instructions

Overview – METABOX – basic elements

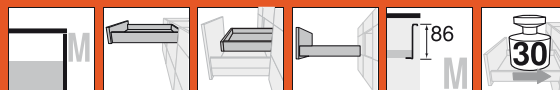
	<b>525</b>
Accessories	<b>556</b>
Cabinet profile fixing positions	<b>564</b>
Assembly, removal and adjustment	<b>565</b>
Overview – assembly devices	<b>705</b>
More technical details	<b>804</b>

### Info box

We recommend cabinet planning with the collision check feature using DYNAPLAN included free on the enclosed DYNALOG limited DVD.

# METABOX – pull-out system

- ▶ METABOX – basic element
- ▶▶ Full extension

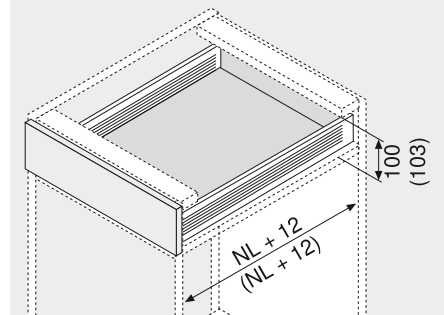


## Drawer/inner drawer – M



- Full extension with 86 mm high drawer sides
- Epoxy coated steel drawer sides
- Drawer sides in cream (RAL 9001) as standard and in grey (RAL 9006) and white upon request
- High impact nylon rollers
- Dyn. load bearing 30 kg
- BLUMATIC self closing feature
- 2-dimensional front adjustment

### Space requirement



NL Nominal length  
( ) Inner drawer

### Order information

1	Cabinet profile, centre profile and drawer side left/right, RAL 9001 cream	
	Nominal length NL	Quick assembly version
	270 mm	330M270PC 330M270PC15
	350 mm	330M350PC 330M350PC15
	400 mm	330M400PC 330M400PC15
	450 mm	330M450PC 330M450PC15
	500 mm	330M500PC 330M500PC15
	550 mm	330M550PC 330M550PC15

Other colours available upon request (white or grey)

2a	CLIP-front fixing brackets	
	Screw-on version	ZSF.1200
	Knock-in version	ZSF.1300
	EXPANDO	ZSF.130E
	Order left/right	

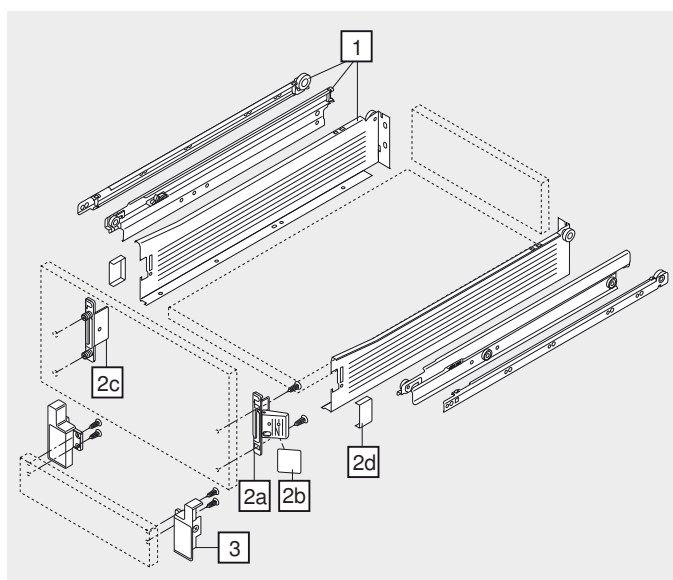
2b	Cover caps for 2a	
	RAL 9001 cream	ZAA.3700
	Nylon	
	Order left/right	

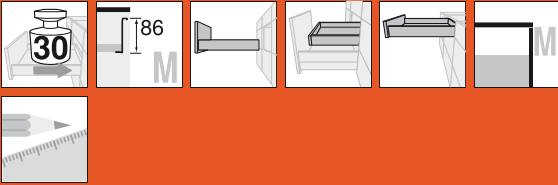
Alternative to 2a

2c	Standard front fixing brackets left	
	Screw-on version	ZSF.1700
	Knock-in version	ZSF.1800
	Order left/right	

2d	Cover caps for 2c	
	RAL 9001 cream	2 x ZAA.3500
	Nylon	

3	Front fixing for inner drawers	
	RAL 9001 cream	ZIF.3000
	Nylon	
	Order left/right	





# METABOX – pull-out system

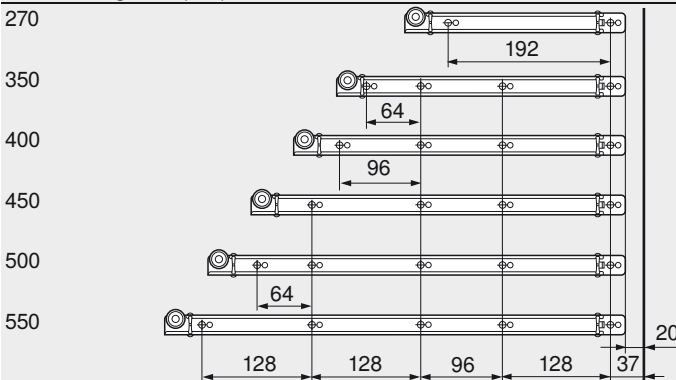
METABOX – basic element ◀  
Full extension ◀◀

## Drawer/inner drawer – M

Planning			
Space requirement in cabinet	Installation dimensions for screw-on front	Front drilling dimensions for EXPANDO/knock-in	Back installation dimensions
* + 3 mm for inner drawer	FA Front overlay Drawer Inner drawer	Drawer	

### Cabinet profile screw positions

Nominal length NL (mm)



Drawer

Min. internal cabinet depth = nominal length NL + 12 mm

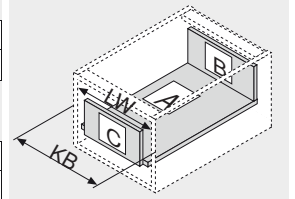
Inner drawer

Min. internal cabinet depth = nominal length NL + 12 mm

Over extension = 8 mm

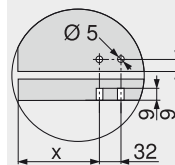
### Cutting dimensions for 16 mm chipboard

	<b>Back</b> 71 mm
LW - 31 mm	
	<b>Base</b> Drawer NL - 2 mm Inner drawer NL - 18 mm
LW - 31 mm	
	<b>Front</b> Inner drawer 61 mm
LW - 64 mm	



KB Cabinet width  
LW Internal cabinet width  
NL Nominal length

### Base assembly for quick assembly version



	X (mm)
Drawer	69
Inner drawer	53

### Page instructions

Overview – METABOX – basic elements

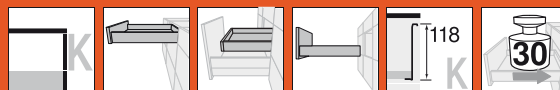
	<b>525</b>
Accessories	<b>556</b>
Cabinet profile fixing positions	<b>564</b>
Assembly, removal and adjustment	<b>565</b>
Overview – assembly devices	<b>705</b>
More technical details	<b>804</b>

### Info box

We recommend cabinet planning with the collision check feature using DYNAPLAN included free on the enclosed DYNALOG limited DVD.

# METABOX – pull-out system

- ▶ METABOX – basic element
- ▶▶ Full extension

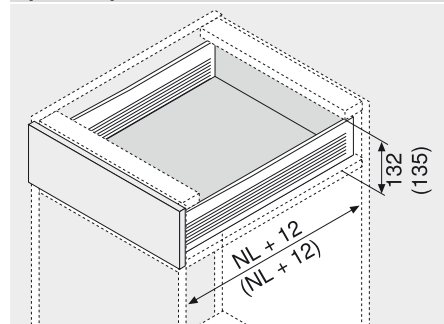


## Drawer/inner drawer – K




- Full extension with 118 mm high drawer sides
- Epoxy coated steel drawer sides
- Drawer sides in cream (RAL 9001) as standard and in grey (RAL 9006) and white upon request
- High impact nylon rollers
- Dyn. load bearing 30 kg
- BLUMATIC self closing feature
- 2-dimensional front adjustment

### Space requirement

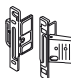



NL Nominal length  
( ) Inner drawer

### Order information


1  Cabinet profile, centre profile and drawer side left/right, RAL 9001 cream		
Nominal length NL	Screw-on version	Quick assembly version
350 mm	330K350PC	330K350PC15
400 mm	330K400PC	330K400PC15
450 mm	330K450PC	330K450PC15
500 mm	330K500PC	330K500PC15
550 mm	330K550PC	330K550PC15


Other colours available upon request (white or grey)

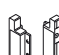
2a  CLIP-front fixing brackets	
Screw-on version	ZSF.1200
Knock-in version	ZSF.1300
EXPANDO	ZSF.130E
Order left/right	

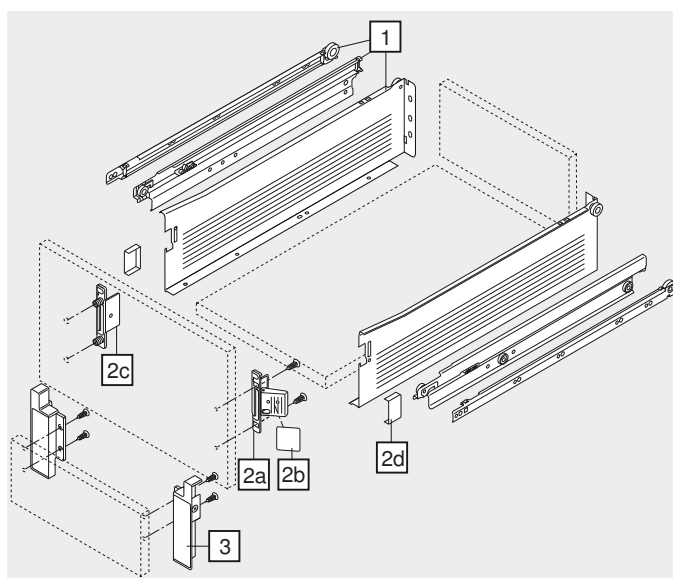
2b  Cover caps for 2a	
RAL 9001 cream	ZAA.3700
Nylon	
Order left/right	

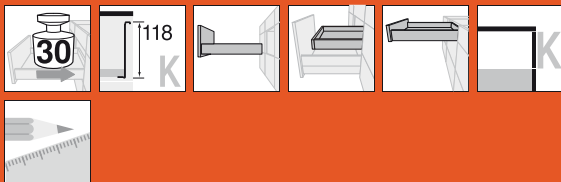
Alternative to 2a

2c  Standard front fixing brackets left	
Screw-on version	ZSF.1700
Knock-in version	ZSF.1800
Order left/right	

2d  Cover caps for 2c	
RAL 9001 cream	2 x ZAA.3500
Nylon	

3  Front fixing for inner drawers	
RAL 9001 cream	ZIF.3030
Nylon	
Order left/right	





# METABOX – pull-out system

METABOX – basic element ◀  
Full extension ◀◀

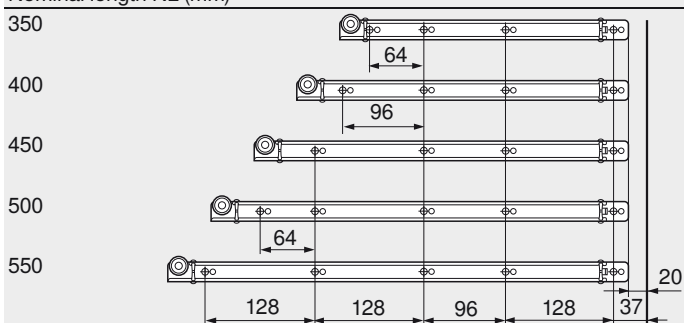
## Drawer/inner drawer – K

### Planning

Space requirement in cabinet	Installation dimensions for screw-on front	Front drilling dimensions for EXPANDO/knock-in	Back installation dimensions
* + 3 mm for inner drawer	FA Front overlay Drawer Inner drawer	Drawer	

### Cabinet profile screw positions

Nominal length NL (mm)



Drawer

Min. internal cabinet depth = nominal length NL + 12 mm

Inner drawer

Min. internal cabinet depth = nominal length NL + 12 mm

Over extension = 8 mm

### Cutting dimensions for 16 mm chipboard

	<b>Back</b> 103 mm	
	<b>Base</b> Drawer NL - 2 mm Inner drawer NL - 18 mm	
	<b>Front</b> Inner drawer 93 mm	

KB Cabinet width  
LW Internal cabinet width  
NL Nominal length

### Base assembly for quick assembly version

	<b>X (mm)</b>
Drawer	69
Inner drawer	53

### Page instructions

Overview – METABOX – basic elements

	<b>525</b>
Accessories	<b>556</b>
Cabinet profile fixing positions	<b>564</b>
Assembly, removal and adjustment	<b>565</b>
Overview – assembly devices	<b>705</b>
More technical details	<b>804</b>

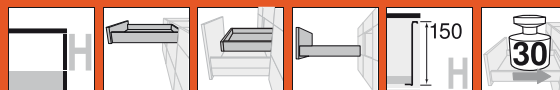
### Info box

We recommend cabinet planning with the collision check feature using DYNAPLAN included free on the enclosed DYNALOG limited DVD.



# METABOX – pull-out system

- ▶ METABOX – basic element
- ▶▶ Full extension

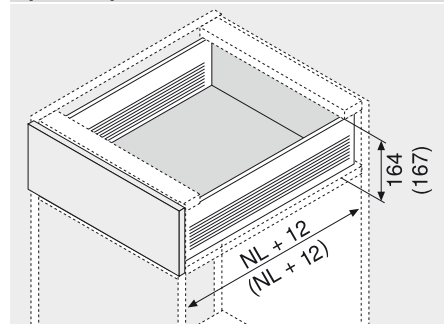


## Drawer/inner drawer – H




- Full extension with 150 mm high drawer sides
- Epoxy coated steel drawer sides
- Drawer sides in cream (RAL 9001) as standard and in grey (RAL 9006) and white upon request
- High impact nylon rollers
- Dyn. load bearing 30 kg
- BLUMATIC self closing feature
- 2-dimensional front adjustment

### Space requirement





NL Nominal length  
( ) Inner drawer

### Order information


 <b>Cabinet profile, centre profile and drawer side left/right, RAL 9001 cream</b>		
Nominal length NL	Screw-on version	Quick assembly version
350 mm	330H350PC	330H350PC15
400 mm	330H400PC	330H400PC15
450 mm	330H450PC	330H450PC15
500 mm	330H500PC	330H500PC15
550 mm	330H550PC	330H550PC15


Other colours available upon request (white or grey)


 <b>2a CLIP-front fixing brackets</b>	
Screw-on version	ZSF.1200
Knock-in version	ZSF.1300
EXPANDO	ZSF.130E
Order left/right	

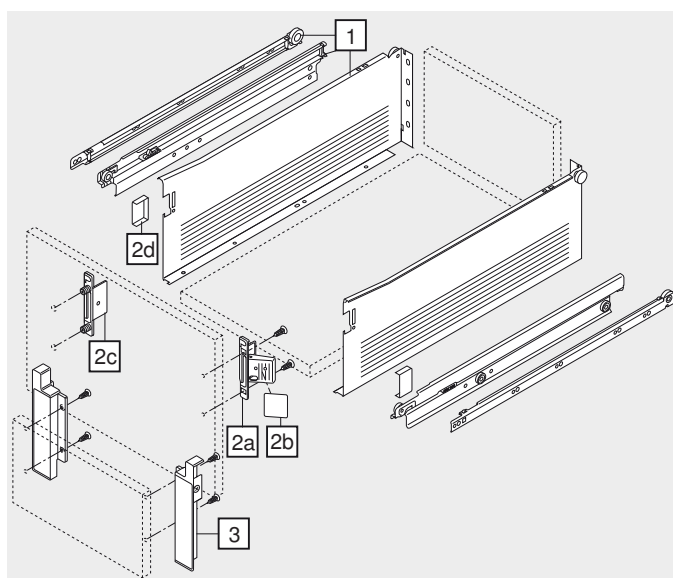
 <b>2b Cover caps for 2a</b>	
RAL 9001 cream	ZAA.3700
Nylon	
Order left/right	

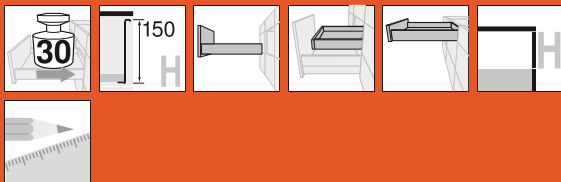
Alternative to 2a

 <b>2c Standard front fixing brackets left</b>	
Screw-on version	ZSF.1700
Knock-in version	ZSF.1800
Order left/right	

 <b>2d Cover caps for 2c</b>	
RAL 9001 cream	2 x ZAA.3500
Nylon	

 <b>3 Front fixing for inner drawers</b>	
RAL 9001 cream	ZIF.3050
Nylon	
Order left/right	





# METABOX – pull-out system

METABOX – basic element ◀  
Full extension ◀◀

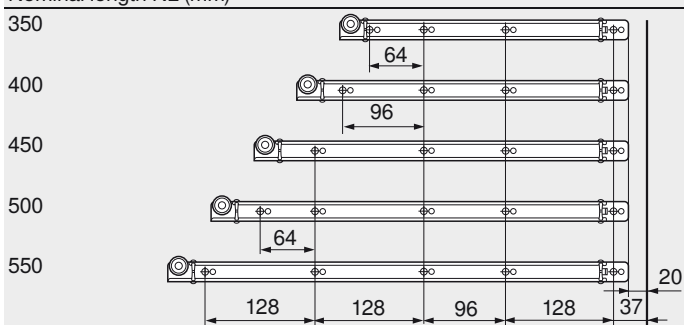
## Drawer/inner drawer – H

### Planning

Space requirement in cabinet	Installation dimensions for screw-on front	Front drilling dimensions for EXPANDO/knock-in	Back installation dimensions
* + 3 mm for inner drawer	FA Front overlay Drawer Inner drawer	Drawer	

### Cabinet profile screw positions

Nominal length NL (mm)



Drawer

Min. internal cabinet depth = nominal length NL + 12 mm

Inner drawer

Min. internal cabinet depth = nominal length NL + 12 mm

Over extension = 8 mm

### Cutting dimensions for 16 mm chipboard

	<b>Back</b> 135 mm	
	<b>Base</b> Drawer NL - 2 mm Inner drawer NL - 18 mm	
	<b>Front</b> Inner drawer 125 mm	

KB Cabinet width  
LW Internal cabinet width  
NL Nominal length

### Base assembly for quick assembly version

	X (mm)
Drawer	69
Inner drawer	53

### Page instructions

Overview – METABOX – basic elements

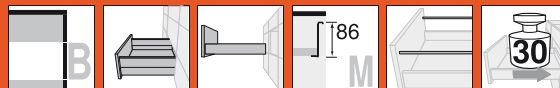
	<b>525</b>
Accessories	<b>556</b>
Cabinet profile fixing positions	<b>564</b>
Assembly, removal and adjustment	<b>565</b>
Overview – assembly devices	<b>705</b>
More technical details	<b>804</b>

### Info box

We recommend cabinet planning with the collision check feature using DYNAPLAN included free on the enclosed DYNALOG limited DVD.

# METABOX – pull-out system

- ▶ METABOX – basic element
- ▶▶ Full extension

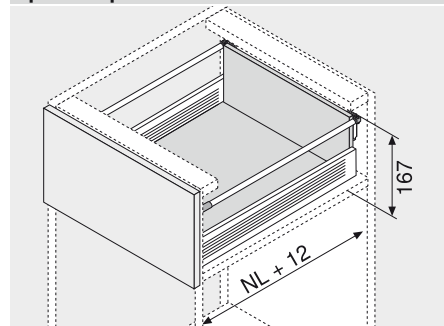


## High fronted pull-out – gallery – B





- Full extension with 86 mm high drawer sides
- Epoxy coated steel drawer sides
- Drawer sides in cream (RAL 9001) as standard and in grey (RAL 9006) and white upon request
- High impact nylon rollers
- Dyn. load bearing 30 kg
- BLUMATIC self closing feature
- 3-dimensional front adjustment
- Tool free assembly of gallery system (INSERTA/CLIP)

### Space requirement

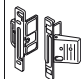


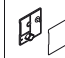
NL Nominal length

### Order information


1  Cabinet profile, centre profile and drawer side left/right, RAL 9001 cream			4  Longside gallery rails with back fixing left/right	
Nominal length NL	Screw-on version	Quick assembly version	Nominal length NL	RAL 9001 cream
350 mm	330M350PC	330M350PC15	350 mm	ZRE.321S.ID
400 mm	330M400PC	330M400PC15	400 mm	ZRE.371S.ID
450 mm	330M450PC	330M450PC15	450 mm	ZRE.421S.ID
500 mm	330M500PC	330M500PC15	500 mm	ZRE.471S.ID
550 mm	330M550PC	330M550PC15	550 mm	ZRE.521S.ID

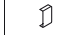
Other colours available upon request (white or grey)

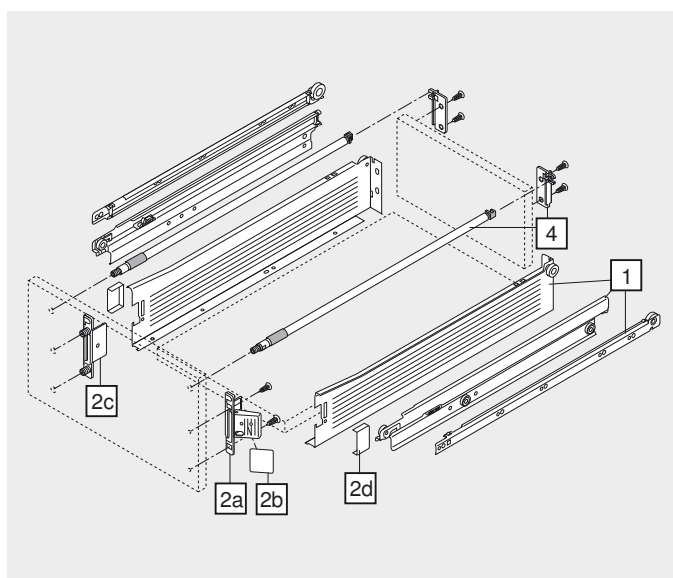
2a 	CLIP-front fixing brackets	
	Screw-on version	ZSF.1200
	Knock-in version	ZSF.1300
	EXPANDO	ZSF.130E
	Order left/right	

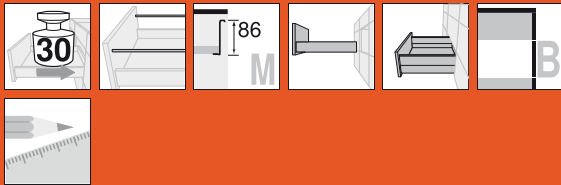
2b 	Cover caps for 2a	
	RAL 9001 cream	ZAA.3700
	Nylon	
	Order left/right	

Alternative to 2a

2c 	Standard front fixing brackets left	
	Screw-on version	ZSF.1700
	Knock-in version	ZSF.1800
	Order left/right	

2d 	Cover caps for 2c	
	RAL 9001 cream	2 x ZAA.3500
	Nylon	





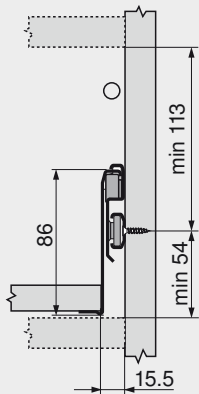
# METABOX – pull-out system

METABOX – basic element ◀  
Full extension ◀◀

## High fronted pull-out – gallery – B

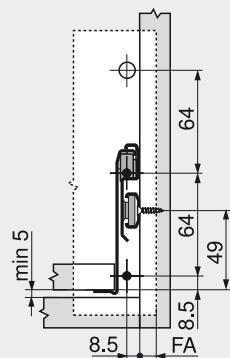
### Planning

#### Space requirement in cabinet

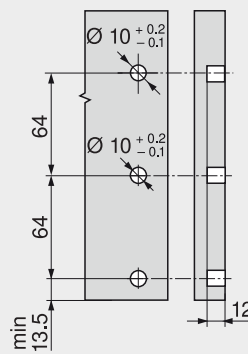


#### Installation dimensions for screw-on front

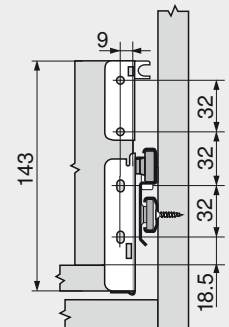
FA Front overlay



#### Front drilling dimensions for EXPANDO/knock-in

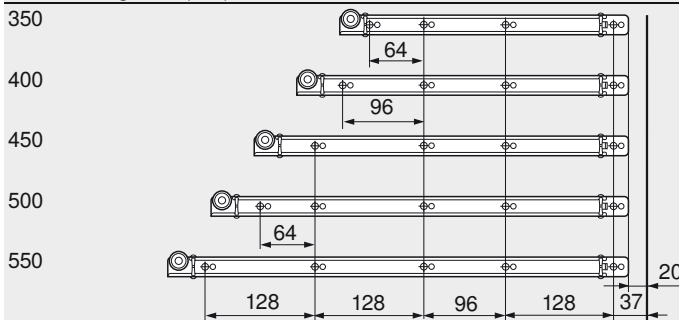


#### Back installation dimensions

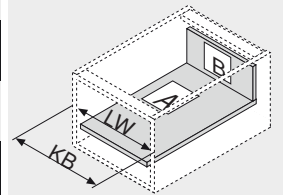
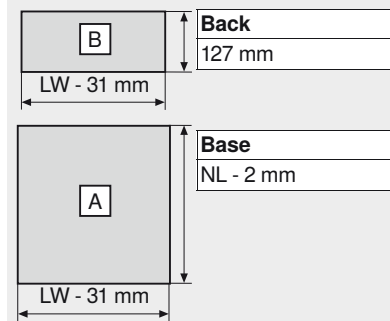


### Cabinet profile screw positions

Nominal length NL (mm)

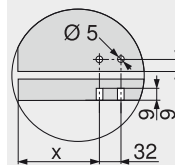


### Cutting dimensions for 16 mm chipboard



KB Cabinet width  
LW Internal cabinet width  
NL Nominal length

### Base assembly for quick assembly version



	X (mm)
High fronted pull-out	69

### High fronted pull-out

Min. internal cabinet depth = nominal length NL + 12 mm

Over extension = 8 mm

### Page instructions

Overview – METABOX – basic elements

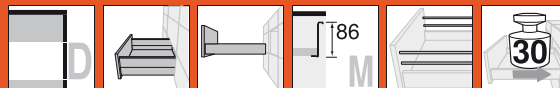
	525
Accessories	556
Accessories – ORGA-LINE – gallery	562
Cabinet profile fixing positions	564
Assembly, removal and adjustment	565
Overview – assembly devices	705
More technical details	804

### Info box

We recommend cabinet planning with the collision check feature using DYNAPLAN included free on the enclosed DYNALOG limited DVD.

# METABOX – pull-out system

- ▶ METABOX – basic element
- ▶▶ Full extension

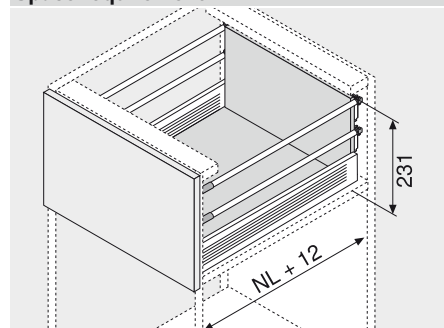


## High fronted pull-out – double gallery – D





- Full extension with 86 mm high drawer sides
- Epoxy coated steel drawer sides
- Drawer sides in cream (RAL 9001) as standard and in grey (RAL 9006) and white upon request
- High impact nylon rollers
- Dyn. load bearing 30 kg
- BLUMATIC self closing feature
- 3-dimensional front adjustment
- Tool free assembly of gallery system (INSERTA/CLIP)

### Space requirement

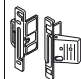


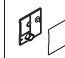
NL Nominal length

### Order information


1  Cabinet profile, centre profile and drawer side left/right, RAL 9001 cream			4  Longside gallery rails with back fixing left/right		
Nominal length NL	Screw-on version	Quick assembly version	Nominal length NL		RAL 9001 cream
350 mm	330M350PC	330M350PC15	350 mm	2 x	ZRE.321S.ID
400 mm	330M400PC	330M400PC15	400 mm	2 x	ZRE.371S.ID
450 mm	330M450PC	330M450PC15	450 mm	2 x	ZRE.421S.ID
500 mm	330M500PC	330M500PC15	500 mm	2 x	ZRE.471S.ID
550 mm	330M550PC	330M550PC15	550 mm	2 x	ZRE.521S.ID

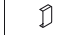
Other colours available upon request (white or grey)

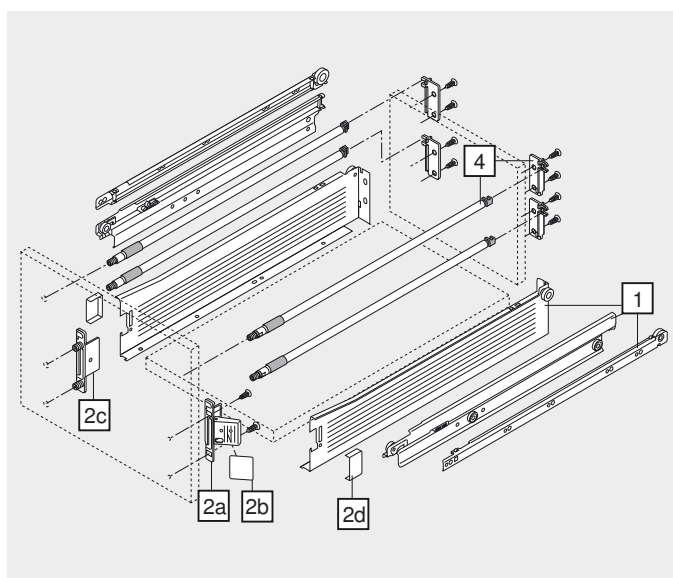
2a 	CLIP-front fixing brackets	
	Screw-on version	ZSF.1200
	Knock-in version	ZSF.1300
	EXPANDO	ZSF.130E
	Order left/right	

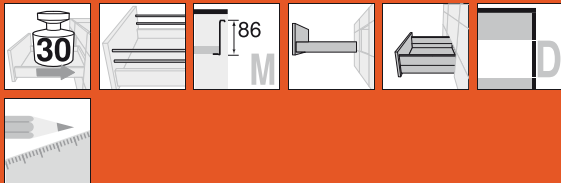
2b 	Cover caps for 2a	
	RAL 9001 cream	ZAA.3700
	Nylon	
	Order left/right	

Alternative to 2a

2c 	Standard front fixing brackets left	
	Screw-on version	ZSF.1700
	Knock-in version	ZSF.1800
	Order left/right	

2d 	Cover caps for 2c	
	RAL 9001 cream	2 x ZAA.3500
	Nylon	





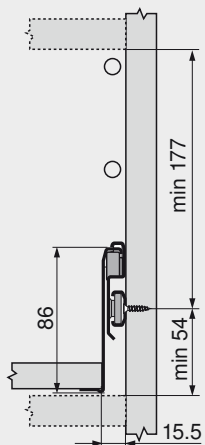
# METABOX – pull-out system

METABOX – basic element ◀  
Full extension ◀◀

## High fronted pull-out – double gallery – D

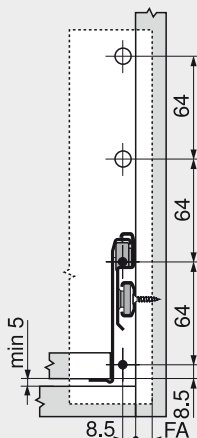
### Planning

#### Space requirement in cabinet

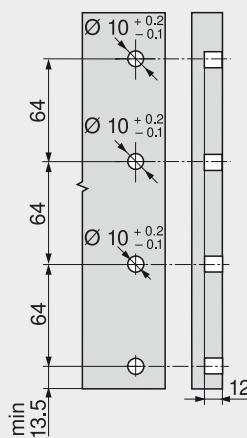


#### Installation dimensions for screw-on front

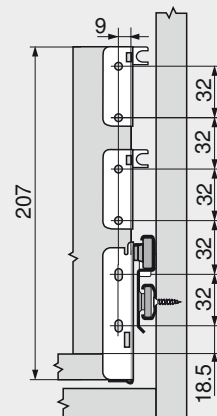
FA Front overlay



#### Front drilling dimensions for EXPANDO/knock-in

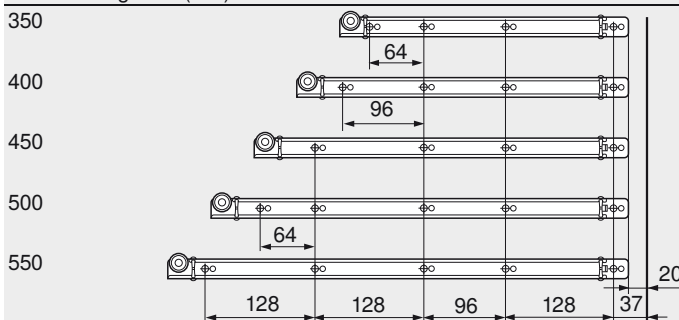


#### Back installation dimensions

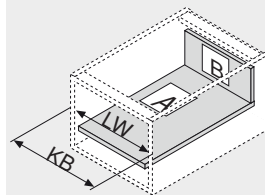
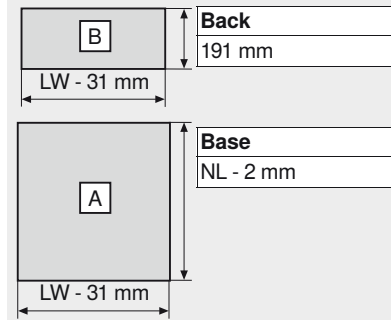


### Cabinet profile screw positions

Nominal length NL (mm)

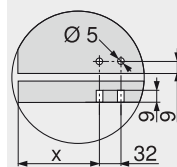


### Cutting dimensions for 16 mm chipboard



KB Cabinet width  
LW Internal cabinet width  
NL Nominal length

### Base assembly for quick assembly version



	X (mm)
High fronted pull-out	69

High fronted pull-out

Min. internal cabinet depth = nominal length NL + 12 mm

Over extension = 8 mm

### Page instructions

Overview – METABOX – basic elements

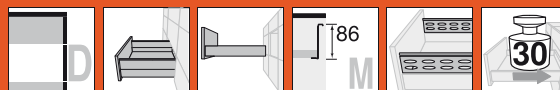
	525
Accessories	556
Accessories – ORGA-LINE – gallery	562
Cabinet profile fixing positions	564
Assembly, removal and adjustment	565
Overview – assembly devices	705
More technical details	804

### Info box

We recommend cabinet planning with the collision check feature using DYNAPLAN included free on the enclosed DYNALOG limited DVD.

# METABOX – pull-out system

- ▶ METABOX – basic element
- ▶▶ Full extension

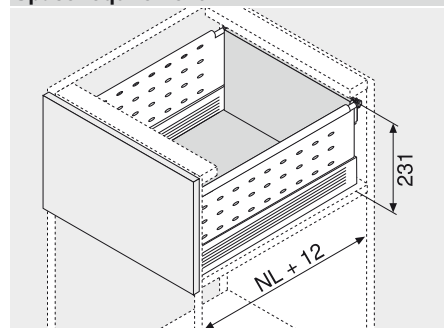


## High fronted pull-out – BOXSIDE – D





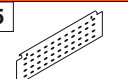
- Full extension with 86 mm high drawer sides
- Epoxy coated steel drawer sides
- Drawer sides in cream (RAL 9001) as standard and in grey (RAL 9006) and white upon request
- High impact nylon rollers
- Dyn. load bearing 30 kg
- BLUMATIC self closing feature
- 3-dimensional front adjustment
- Tool free assembly of gallery system (INSERTA/CLIP)

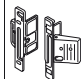
### Space requirement

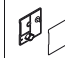


NL Nominal length


### Order information


1  Cabinet profile, centre profile and drawer side left/right, RAL 9001 cream			4  Longside gallery rails with back fixing left/right		5  Single-wall BOXSIDE	
Nominal length NL	Screw-on version	Quick assembly version	Nominal length NL	RAL 9001 cream	Nominal length NL	RAL 9001 cream
400 mm	330M400PC	330M400PC15	400 mm	ZRE.371S.ID	400 mm	2 x Z36H367SE01
450 mm	330M450PC	330M450PC15	450 mm	ZRE.421S.ID	450 mm	2 x Z36H417SE01
500 mm	330M500PC	330M500PC15	500 mm	ZRE.471S.ID	500 mm	2 x Z36H467SE01
550 mm	330M550PC	330M550PC15	550 mm	ZRE.521S.ID	550 mm	2 x Z36H517SE01

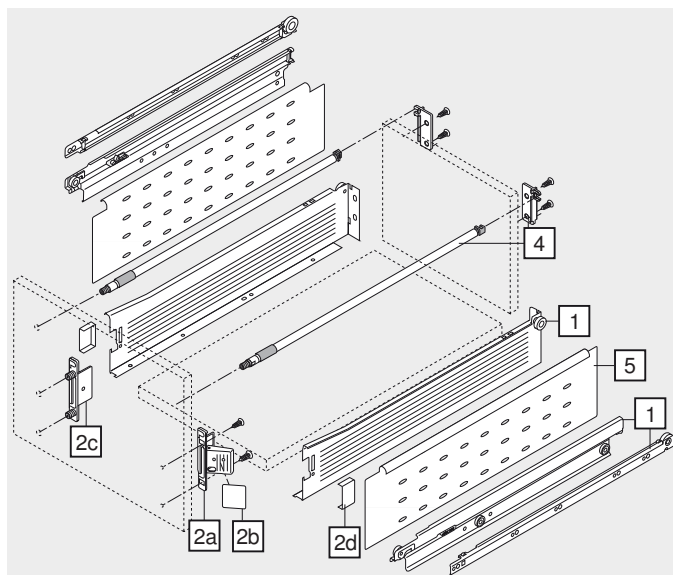
2a 	CLIP-front fixing brackets	
	Screw-on version	ZSF.1200
	Knock-in version	ZSF.1300
	EXPANDO	ZSF.130E
	Order left/right	

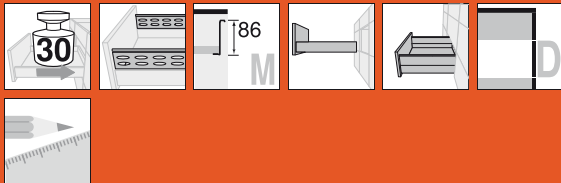
2b 	Cover caps for 2a	
	RAL 9001 cream	ZAA.3700
	Nylon	
	Order left/right	

Alternative to 2a

2c 	Standard front fixing brackets left	
	Screw-on version	ZSF.1700
	Knock-in version	ZSF.1800
	Order left/right	

2d 	Cover caps for 2c	
	RAL 9001 cream	2 x ZAA.3500
	Nylon	





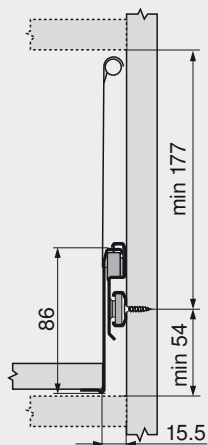
# METABOX – pull-out system

METABOX – basic element ◀  
Full extension ◀◀

## High fronted pull-out – BOXSIDE – D

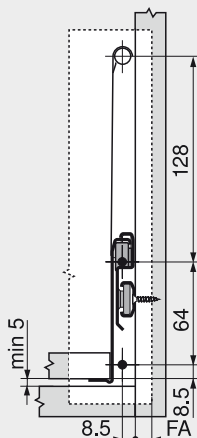
### Planning

#### Space requirement in cabinet

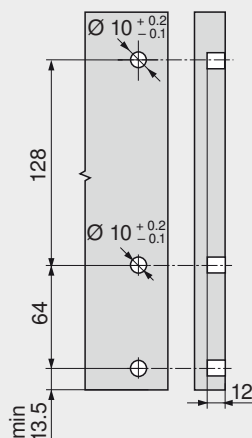


#### Installation dimensions for screw-on front

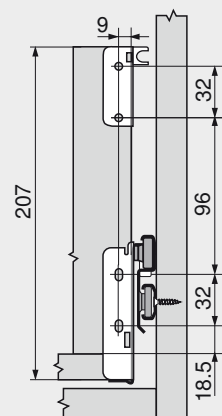
FA Front overlay



#### Front drilling dimensions for EXPANDO/knock-in

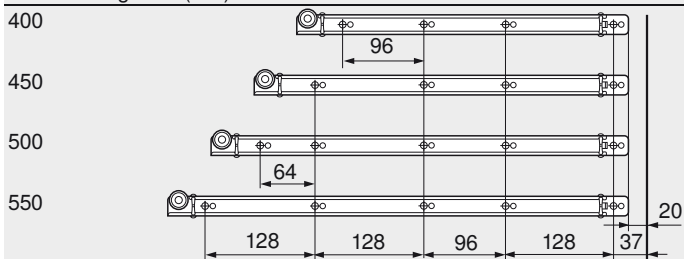


#### Back installation dimensions

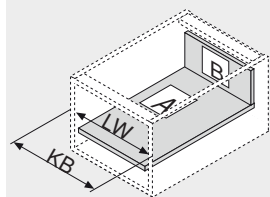
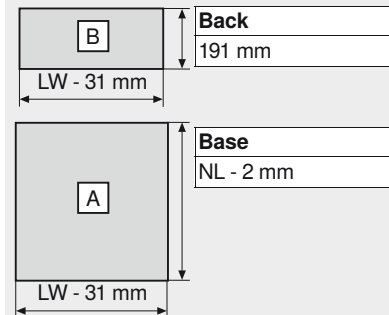


### Cabinet profile screw positions

Nominal length NL (mm)

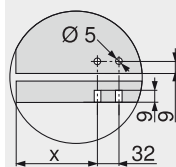


### Cutting dimensions for 16 mm chipboard



KB Cabinet width  
LW Internal cabinet width  
NL Nominal length

### Base assembly for quick assembly version



	X (mm)
High fronted pull-out	69

High fronted pull-out

Min. internal cabinet depth = nominal length NL + 12 mm

Over extension = 8 mm

### Page instructions

Overview – METABOX – basic elements

Overview – METABOX – basic elements	525
Accessories	556
Accessories – ORGA-LINE – BOXSIDE	563
Cabinet profile fixing positions	564
Assembly, removal and adjustment	565
Overview – assembly devices	705
More technical details	804

### Info box

We recommend cabinet planning with the collision check feature using DYNAPLAN included free on the enclosed DYNALOG limited DVD.

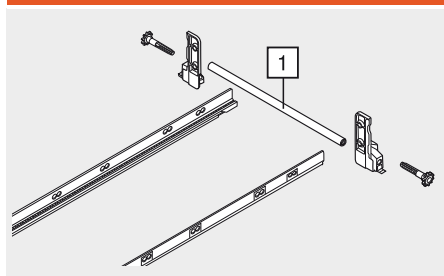
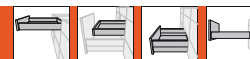


# METABOX – pull-out system



- ▶ METABOX – basic element
- ▶▶ Accessories

## Side stabilisation



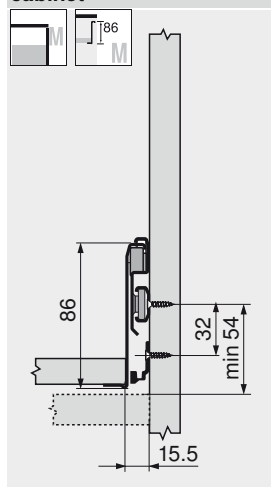
- For full extension with wooden back
- Additional stabilisation for extra wide drawers and high fronted pull-outs
- Recommendation: cabinet width KB 900 up to 1200 mm

Nominal length NL	Part no.
450 mm	ZST.450MH
500 mm	ZST.500MH
550 mm	ZST.550MH

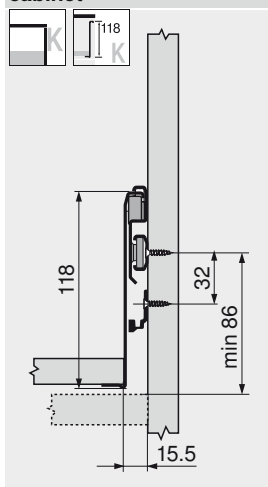
**1 Cutting**  
Internal cabinet width LW - 86 mm

**Page instructions**  
Cabinet profile fixing positions  
**564**

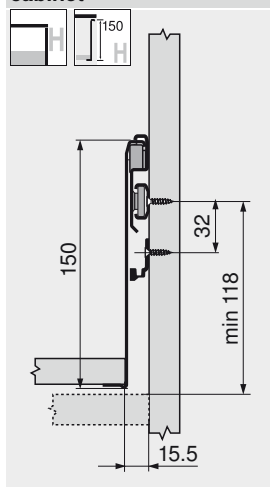
### Space requirement in cabinet



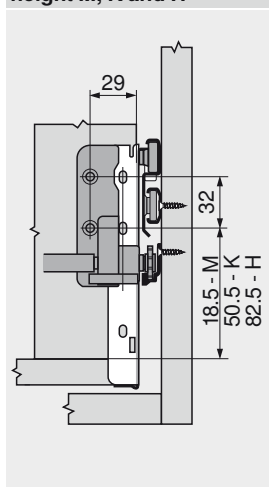
### Space requirement in cabinet



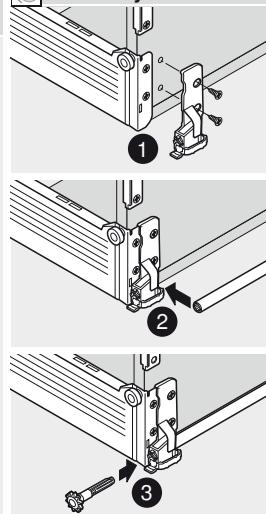
### Space requirement in cabinet



### Installation dimensions height M, K and H

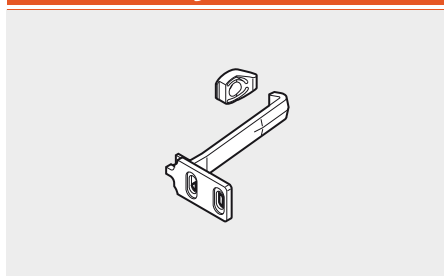


### Assembly



METABOX

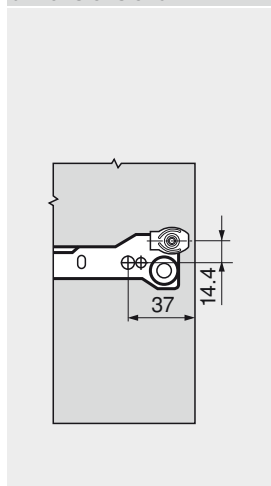
## Child safety latch



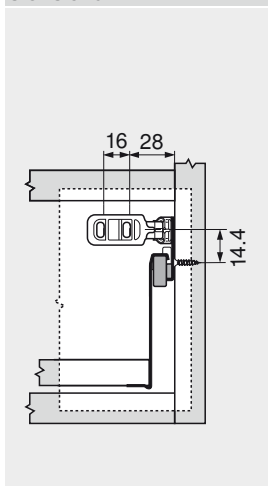
- For single (320) and full extension (330)
- To prevent small children from opening the drawer
- Material: natural coloured nylon

Nylon	Part no.
natural	295.5500

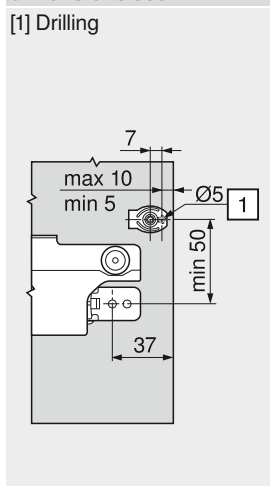
### Cabinet installation dimensions 320



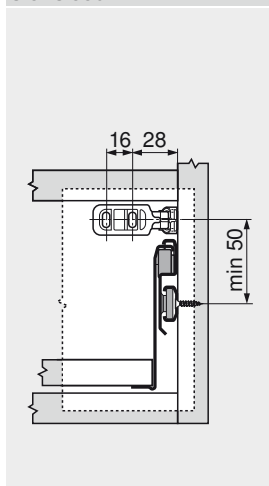
### Front installation dimensions 320



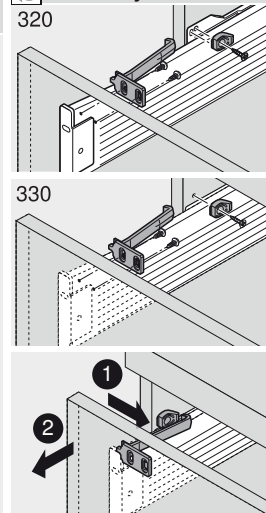
### Cabinet installation dimensions 330



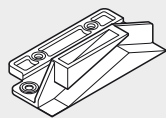
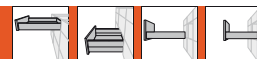
### Front installation dimensions 330



### Assembly



Anti-tilt device



- For centre locking mechanisms for single (320) and full extensions (330)
- In combination with locking systems (locking bar systems)
- If one drawer is open, the others are locked (pull-out lock)
- Please read locking system manufacturer's instructions
- Material: nylon

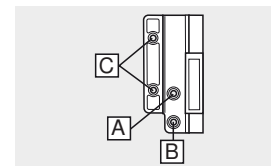
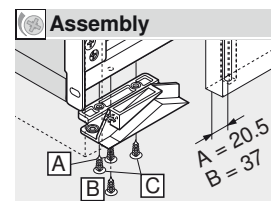
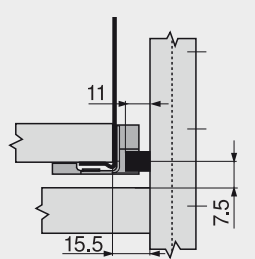
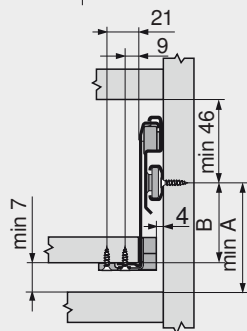
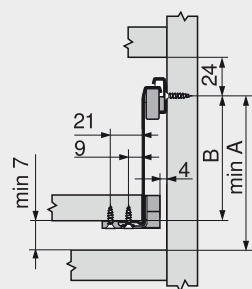
Nylon	Part no.
RAL 9001 cream	295.5300

320

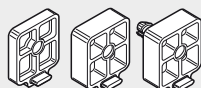
330

320	A	B
N	56	48.5
M	88	80.5
K	120	112.5
H	152	144.5

330	A	B
M	56	48.5
K	88	80.5
H	120	112.5



Spacers



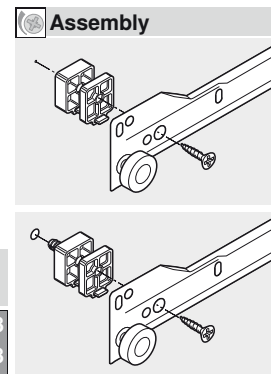
- For inner drawers with single extensions (320)
- To space drawers beyond the door protrusion
- Stacking possible (up to 24 mm)
- Screw fixing with version available for pre-drilled Ø 5 mm holes
- Material: nylon, RAL 9001 cream

Spacing	Part no.
4 mm	320M0048
8 mm	320M0088
8 mm with dowel Ø 5 mm	320M0188

Spacer combinations

The number of fixing points required depends on the length of the cabinet profile:

- Up to 450 mm min. 2 fixing points
- Up to 550 mm min. 3 fixing points
- Up to 650 mm min. 4 fixing points



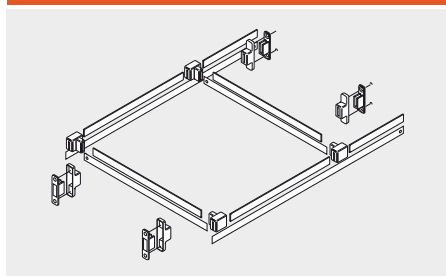
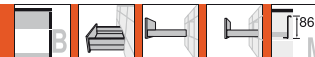
Hinge	Spacer/fixing	Spacers/quantity and part no.		
170°	8 mm Ø 4 x 20 mm		1 x	320M0088
			1 x	320M0188
100° / 107° / 120°	12 mm Ø 4 x 25 mm	1 x	+	1 x 320M0088
		1 x	+	1 x 320M0188
Profile/thick door	16 mm Ø 4 x 30 mm		2 x	320M0088
		1 x	+	1 x 320M0188
Maximum spacing	24 mm Ø 4 x 40 mm		3 x	320M0088
		1 x	+	2 x 320M0188

# METABOX – pull-out system



- ▶ METABOX – basic element
- ▶▶ Accessories

## METAFILE – file drawer



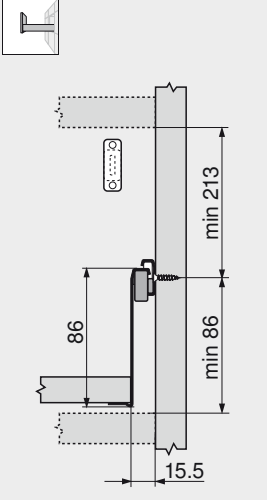
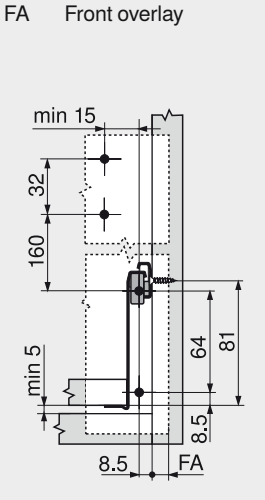
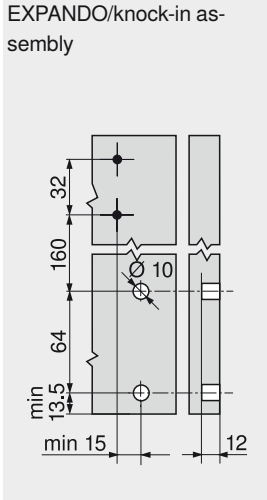
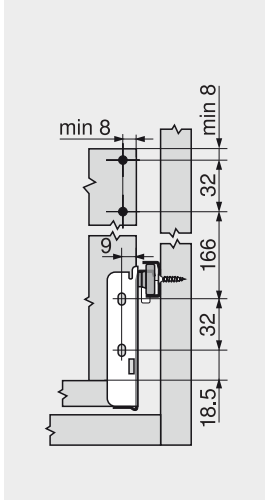
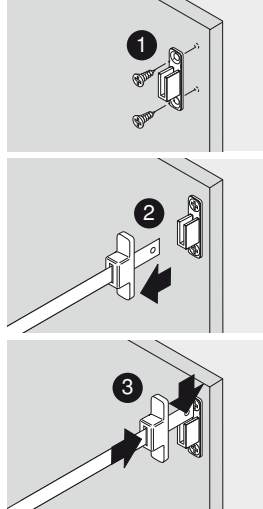
- For tilt adjustment, high fronted pull-out, basic element, height B with gallery
- For nominal lengths 450 to 550 mm
- For cabinet width 275 up to 600 mm

Steel/nylon	Part no.
RAL 9001 cream	ZRM.5500

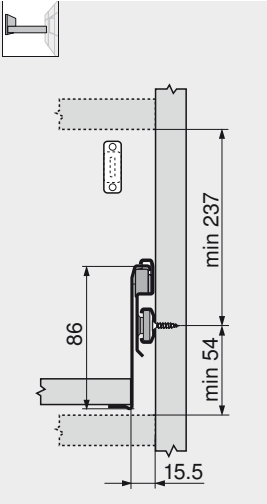
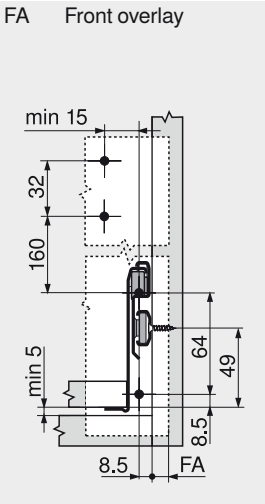
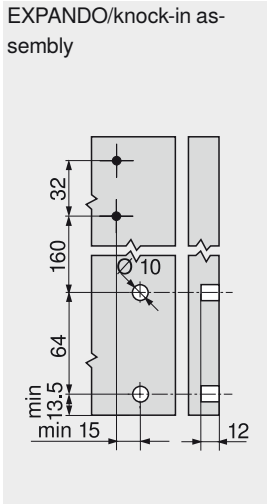
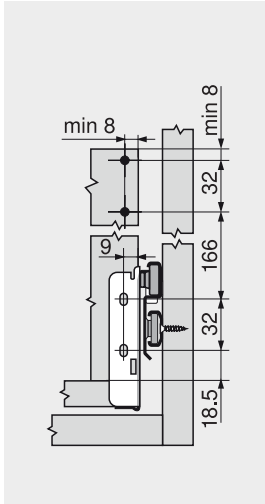

Page instructions	
<b>Basic element</b>	
25 kg B height – single extension	536
30 kg B height – full extension	550

METABOX

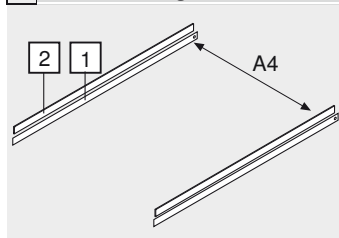
Space requirement in cabinet	Installation dimensions for screw-on front	Front drilling dimensions	Back installation dimensions	Assembly
------------------------------	--	---------------------------	------------------------------	----------

	<p>FA Front overlay</p> 	<p>EXPANDO/knock-in assembly</p> 		
--	--	---	---	--

Space requirement in cabinet	Installation dimensions for screw-on front	Front drilling dimensions	Back installation dimensions	Assembly
------------------------------	--	---------------------------	------------------------------	----------

	<p>FA Front overlay</p> 	<p>EXPANDO/knock-in assembly</p> 		
---	---	--	--	---

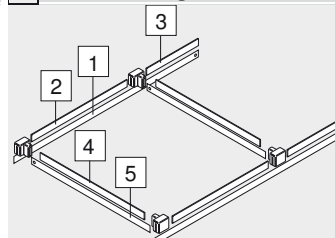
### DIN-A4 cutting dimensions across



Min. internal width = 376 mm

- [1] Nominal length - 28 mm
- [2] Nominal length - 53 mm

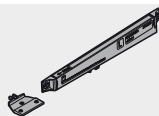
### DIN-A4 cutting dimensions lengthwise



Min. nominal length = 500 mm

- [1] Nominal length - 28 mm
- [2] 305 mm
- [3] Nominal length - 406 mm
- [4] Internal cabinet width - 82 mm
- [5] Internal cabinet width - 59 mm

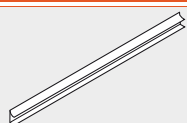
**BLUMOTION for METABOX 320**



- For single extension
- 25 kg dyn. carrying capacity
- Only one BLUMOTION unit required up to cabinet width KB 900 mm
- Material: nylon; BLUMOTION RAL 7046 white grey; Latch RAL 9001 cream
- Other colours available for latch upon request (white or grey)

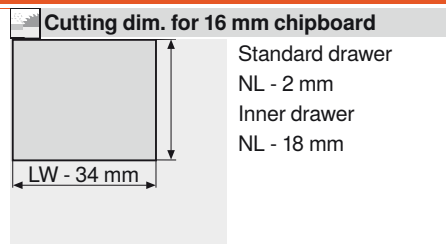
Nylon	Part no.
RAL 9001 cream	Z70.0320

**Contoured profile**



- Screw-on version
- For 16 mm base
- Nylon, RAL 9001 cream

For cutting to size, 1200 mm	Part no.
RAL 9001 cream	ZSD.1200S

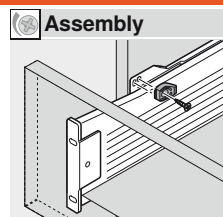


**Pull-out stop 320**

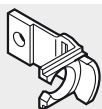


- Made of high impact natural coloured nylon
- To prevent accidental removal of drawer specially for cutlery or machine/appliance pull-outs

Nylon	Part no.
natural	320M0009.01

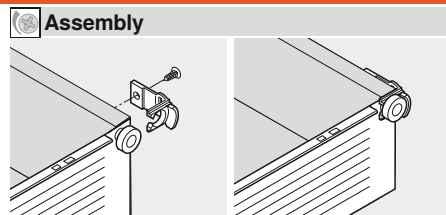


**POSISTOP 320**



- Stop in runner system
- Made of high impact natural coloured nylon
- Developed to relieve pressure on the drawer front
- For single extension only
- Produces either a 1.5 or 3 mm gap
- Symmetrical

Gap	Part no.
1.5 mm	298.3210.01
3 mm	298.3230.01

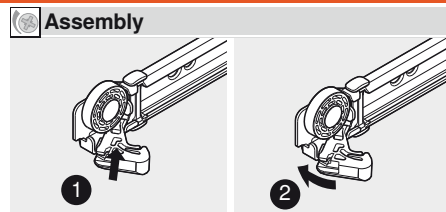


**POSISTOP 330**



- Stop in runner system
- Made of high impact natural coloured nylon
- Developed to relieve pressure on the drawer front
- For full extensions only
- Produces a 1.5 mm gap

Left/right	Part no.
natural	330.0028



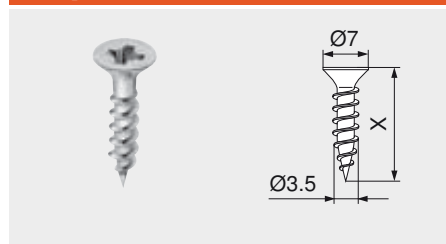
# METABOX – pull-out system

a

- ▶ METABOX – basic element
- ▶▶ Accessories

## Chipboard screws

Ø 3.5 mm

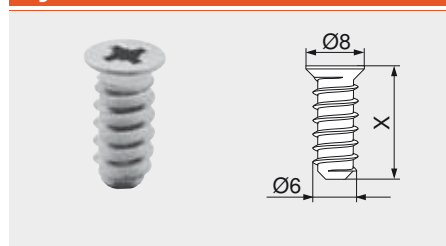


- Nickel plated
- Ø 3.5 mm

Length (X)	Part no.
15 mm	609.1500
17 mm	609.1700

## System screws

Ø 6.0 mm

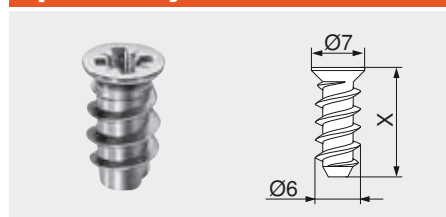


- Nickel plated
- Ø 6 mm
- Drilling diameter 5 mm

Length (X)	Part no.
10 mm	661.1000.HG
11.5 mm	661.1150.HG
13 mm	661.1300.HG
14.5 mm	661.1450.HG
20 mm	661.2000.HG

## Special system screws

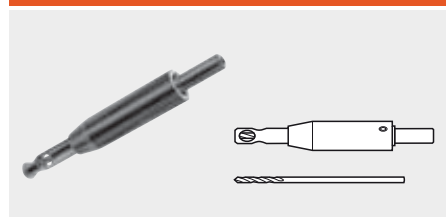
Ø 6.0 mm



- Nickel plated
- Ø 6 mm
- Drilling diameter 5 mm

Length (X)	Part no.
11.5 mm	662.1150.HG
13 mm	662.1300.HG
14.5 mm	662.1450.HG

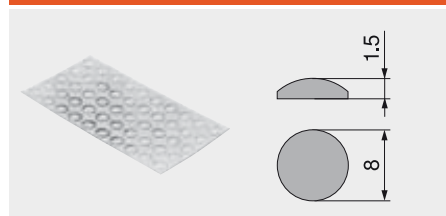
## Centre bit



- Hardened
- Ø 2.7 mm, length 70 mm
- To pre-drill for Ø 3.5 mm chipboard screws
- Drilling depth up to 8 mm

	Part no.
Centre bit	M01.ZZ03
Drill bit	M01.ZZB3

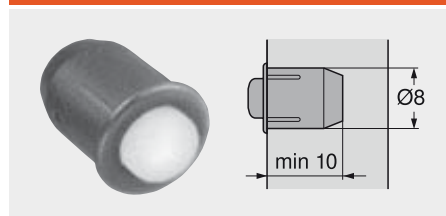
## Stick-on door buffer



- For noise reduction

Nylon	Part no.
natural	993.710

## 8 mm Ø door buffer



- For noise reduction
- Gap 2 mm
- Two-part

Nylon	Part no.
RAL 9006 white aluminium	993.706

METABOX

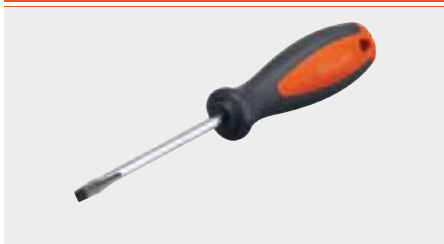
## Pozidrive screwdriver



- PZ (Pozi) size 2
- Blade length 100 mm
- Overall length 200 mm
- Orange handle with Blum logo

Nylon/steel	Part no.
orange	303.756.1

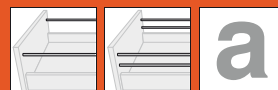
## Slotted screwdriver



- Slotted, size 1.0 x 5.5 mm
- Blade length 125 mm
- Overall length 225 mm
- Orange handle with Blum logo

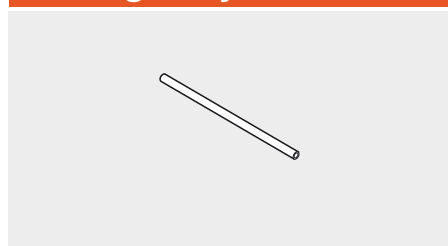
Nylon/steel	Part no.
orange	314.928.1

# METABOX – pull-out system



- ▶ METABOX – basic element
- ▶▶ Accessories – ORGA-LINE – gallery

## Cross gallery rails for cutting to size

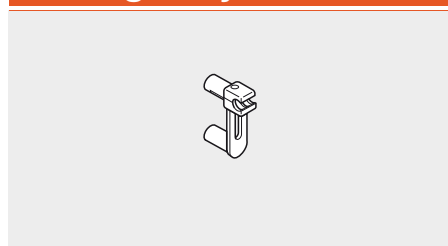


- Cross gallery rails for cutting to size
- Material: aluminium

For cutting to size, 1104 mm	Part no.
RAL 9001 cream	ZRG.1104U

 <b>Cutting</b>
Internal cabinet width LW - 58 mm
For cabinet width KB 1200 mm already cut to size!

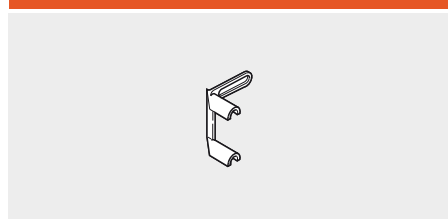
## Cross gallery connector



- Cross gallery connector for two cross gallery rails
- Slide-on connection of gallery to gallery fixing
- Insertion and screw-on fixing
- Material: nylon

Nylon	Part no.
RAL 9001 cream	ZRU.00Z0

## Lateral divider



- Gallery division
- Clip-on fixing to gallery
- Material: nylon

Nylon	Part no.
RAL 9001 cream	ZRU.00F0

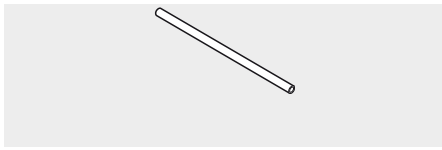


# METABOX – pull-out system

METABOX – basic element ◀

Accessories – ORGA-LINE – BOXSIDE ◀◀

## Cross gallery rails for cutting to size



- Cross gallery rails for cutting to size
- Material: aluminium

For cutting to size, 1104 mm	Part no.
RAL 9001 cream	ZRG.1104U

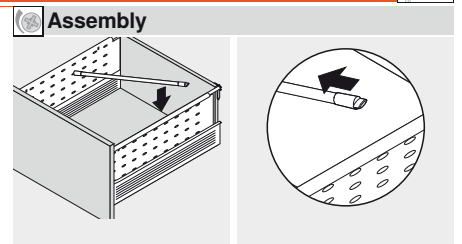
<b>Cutting</b>
Internal cabinet width LW - 65 mm
For cabinet width KB 1200 mm already cut to size!

## Gallery connector



- Clip-on to gallery
- Connects the cross gallery with BOXSIDE
- Material: nylon/steel

Nylon/steel	Part no.
RAL 9001 cream	ZRU.10B1E



## Lateral divider



- Gallery division
- Clip-on fixing to gallery
- Material: nylon

Nylon	Part no.
RAL 9001 cream	ZRU.00F0

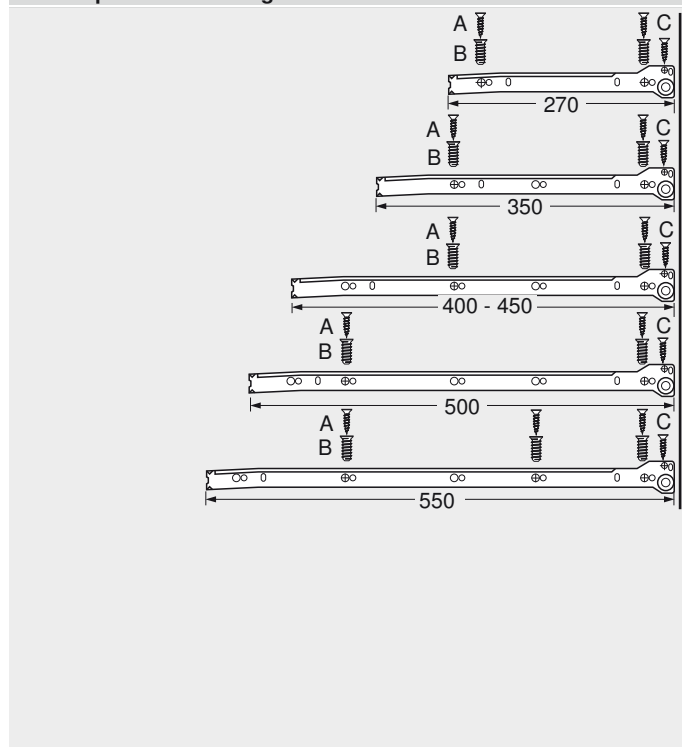


# METABOX – pull-out system

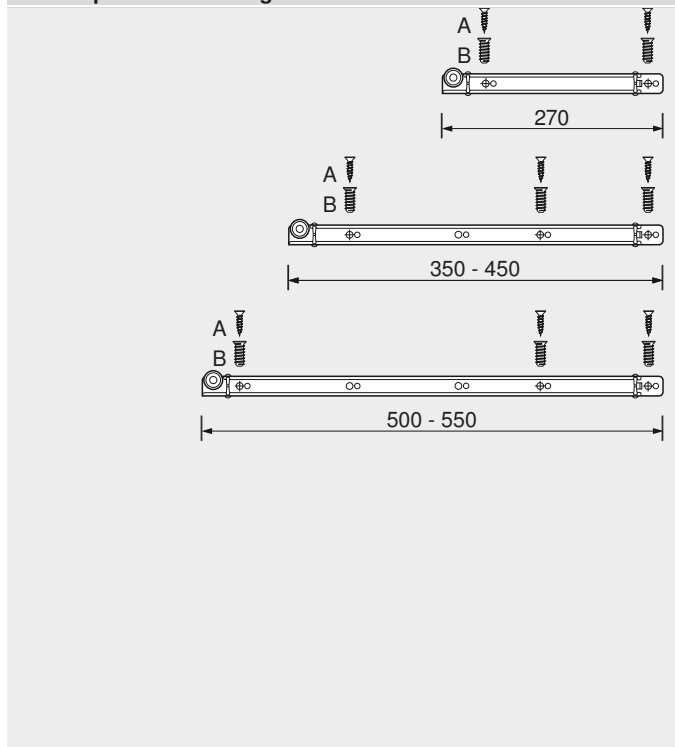
- ▶ METABOX – basic element
- ▶▶ Cabinet profile fixing positions



## Cabinet profile 320 – 25 kg



## Cabinet profile 330 – 30 kg



Fixing onto cabinet

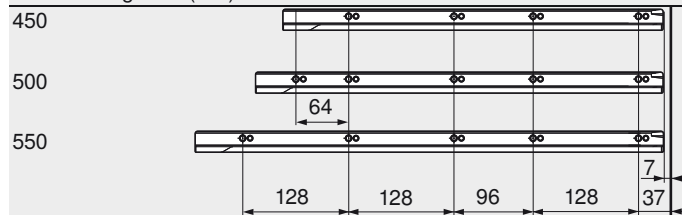
- A Chipboard screws  $\varnothing 4 \times 15$  mm
- B Chipboard screws part no. 661.145
- C Chipboard screws  $\varnothing 3.5 \times 15$  mm for high fronted pull-out

Fixing onto cabinet

- A Chipboard screws  $\varnothing 4 \times 15$  mm
- B Chipboard screws part no. 661.145

## Side stabilisation – ZST

Nominal length NL (mm)



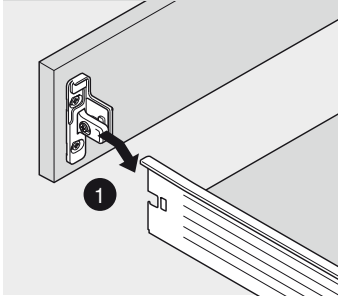
Min. internal cabinet depth = nominal length NL + 25 mm



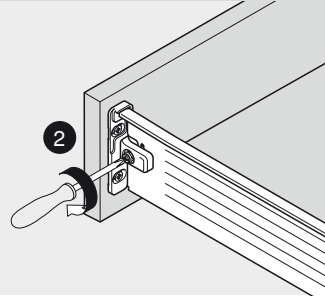
# METABOX – pull-out system

METABOX – basic element ◀  
Assembly, removal and adjustment ◀◀

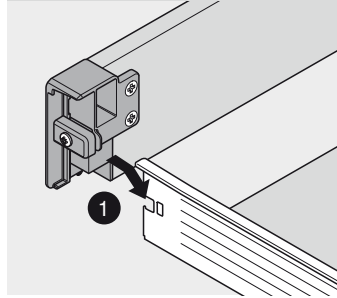
## Drawer 320/330 N



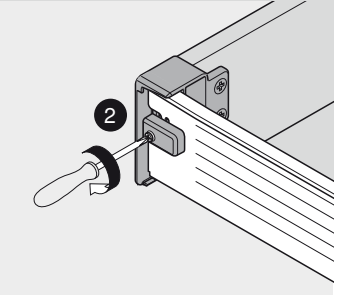
ZSF.1510/1610 Assembly



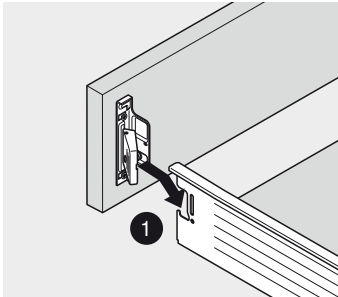
## Inner drawer 320/330 N



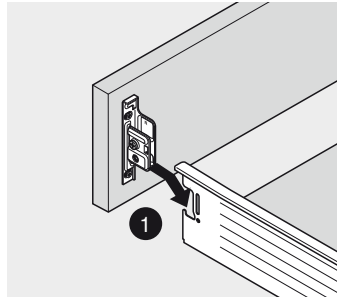
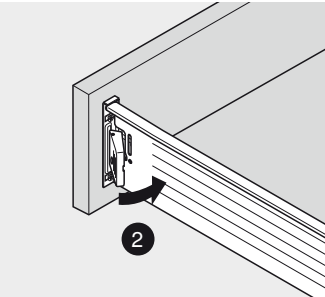
Assembly



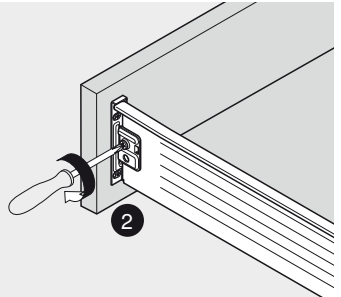
## Drawer 320/330 M/K/H



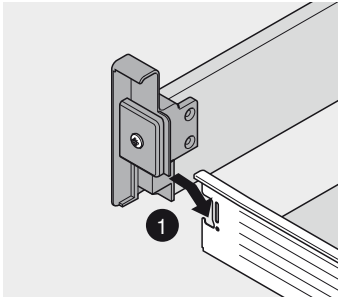
ZSF.1200/1300/130E Assembly



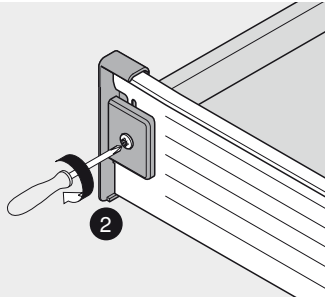
ZSF.1700/1800 Assembly



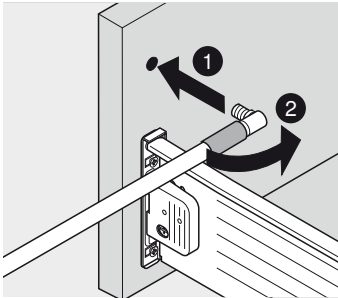
## Inner drawer 320/330 M/K/H



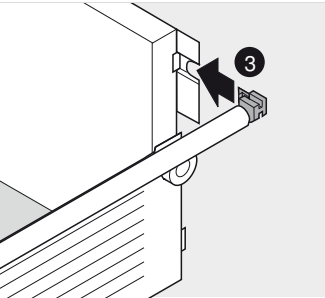
Assembly



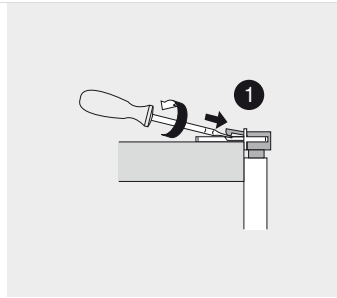
## High fronted pull-out



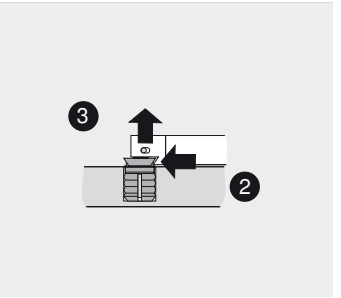
Front assembly



Back assembly



Back removal



Front removal

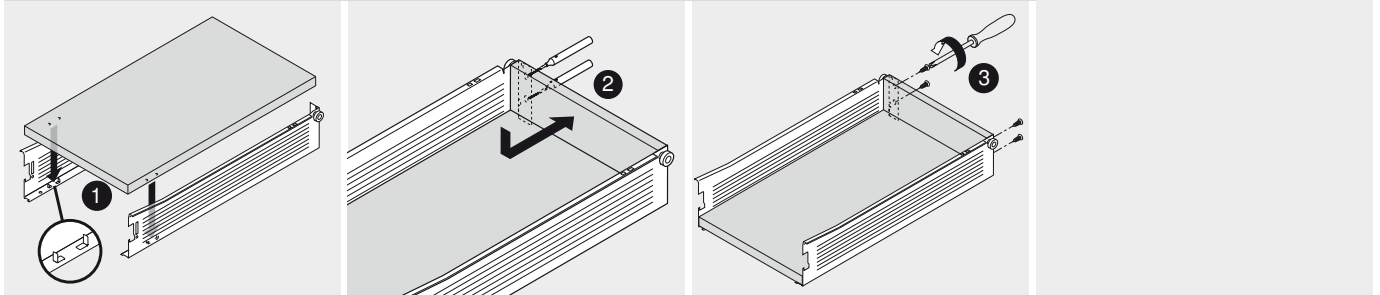
METABOX

# METABOX – pull-out system

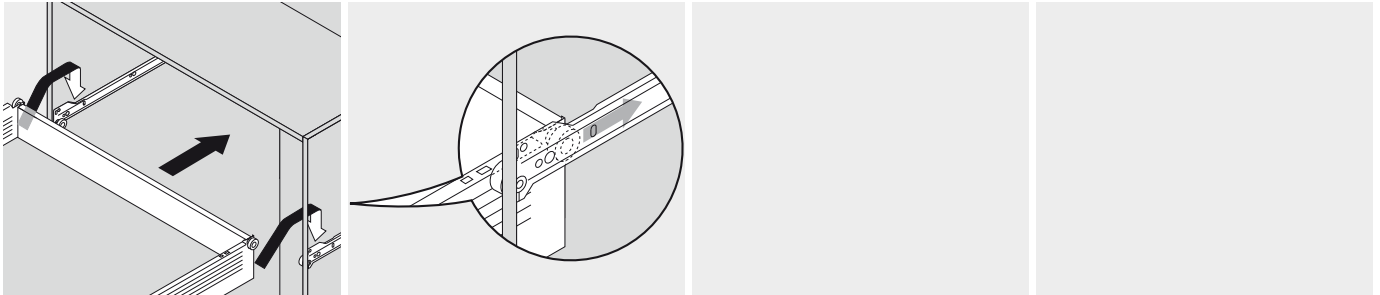


- ▶ METABOX – basic element
- ▶▶ Assembly, removal and adjustment

## Drawer – chipboard back

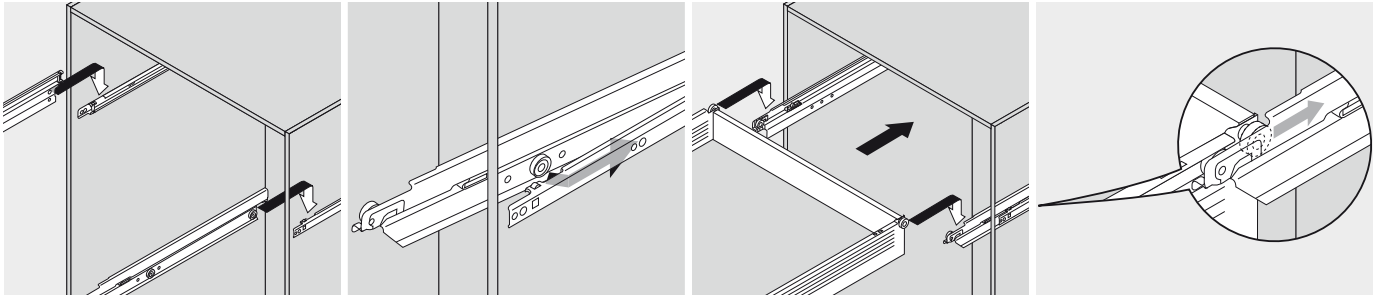


## Drawer insertion and removal



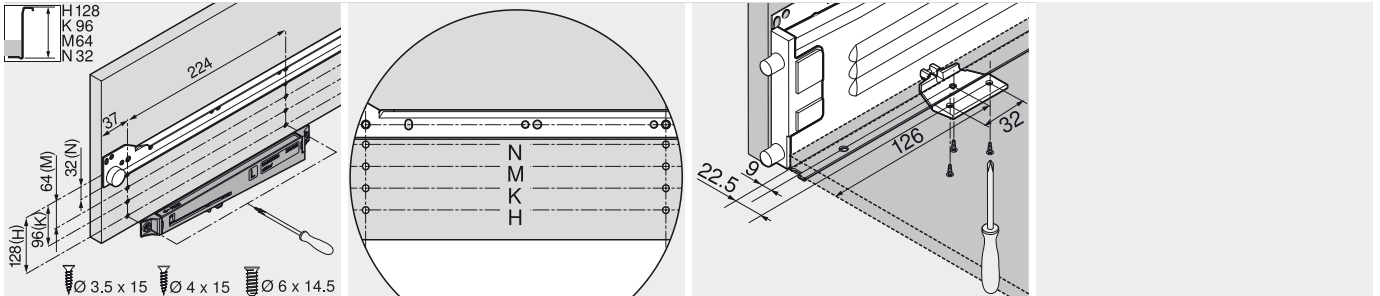
320

## Drawer insertion and removal



330

## BLUMOTION for METABOX 320

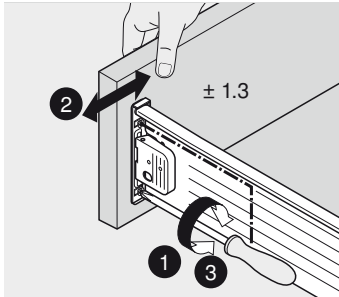




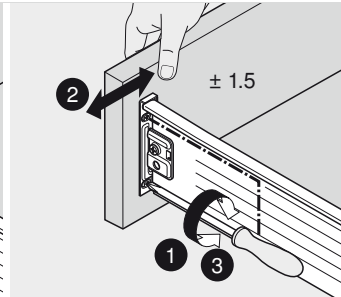
# METABOX – pull-out system

METABOX – basic element ◀  
Assembly, removal and adjustment ◀◀

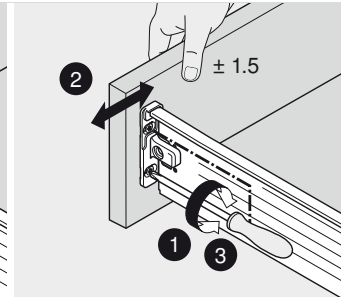
## Side adjustment



ZSF.1200/1300/130E

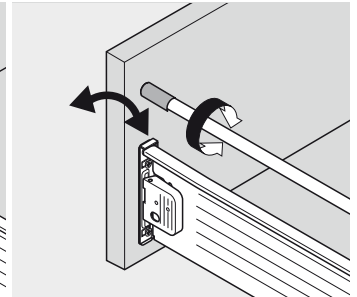


ZSF.1700/1800



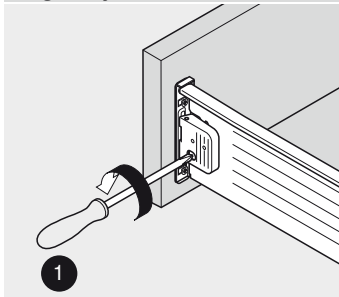
ZSF.1510/1610

## Tilt adjustment

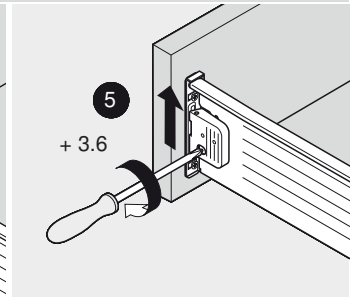
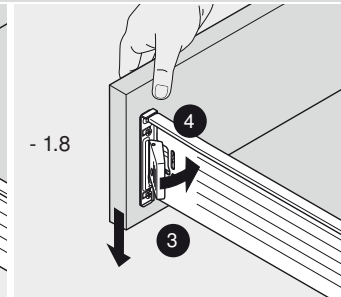
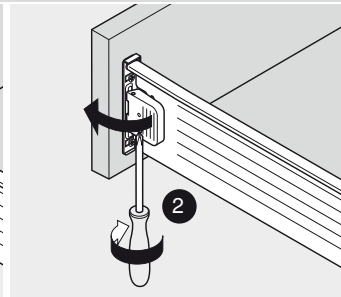


ZSF.1200/1300/130E/1700

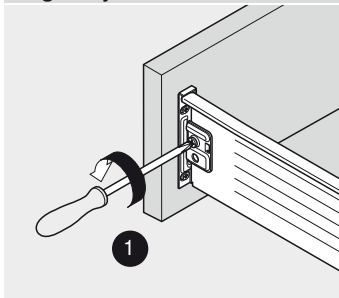
## Height adjustment



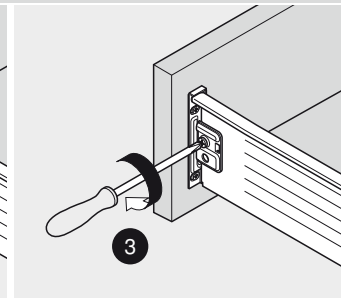
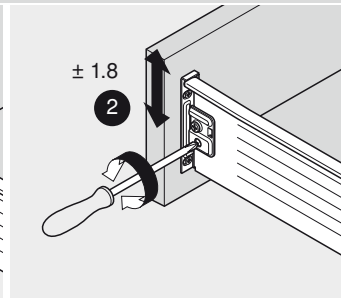
ZSF.1200/1300/130E



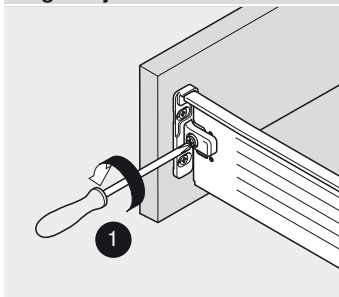
## Height adjustment



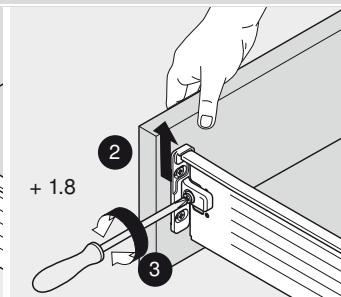
ZSF.1700/1800



## Height adjustment



ZSF.1510/1610



**larkandlarks.co.uk**  
online kitchen & bedroom store  
See website for details. Help line: 0845 017 6480